

# TWIN DRIVE - MANUAL

**TWIN DRIVE 6.0**

BI-FOLDING DOUBLE LEAF  
SWING GATE HARDWARE  
SPACE-SAVING FEATURE  
MAX. 3.0 m SINGLE LEAF  
SINGLE LEAF MAX. 110 kg  
**HINGES NOT INCLUDED**

CODE: 1710901

**TWIN DRIVE 3.0**

BI-FOLDING SINGLE LEAF  
SWING GATE HARDWARE  
SPACE-SAVING FEATURE  
MAX. 3.0 m SINGLE LEAF  
SINGLE LEAF MAX. 110 kg  
**HINGES NOT INCLUDED**

CODE: 1710902



NO WELDING  
NEEDED



TRACKLESS  
BI-FOLDING



SPACE SAVING  
FEATURE  
- 50% BACK SPACE



COMPACT  
PACKAGE



EASY  
ASSEMBLING



EASY  
TRANSPORT



FAST  
NO WELDING



FOR RESIDENTIAL  
USE ONLY



EASY TELESCOPIC  
ADJUSTMENT



TAKE  
AWAY



SUITABLE FOR  
ASYMMETRIC LEAFS  
100% + 50%



HIGH QUALITY  
GUARANTEED



SUITABLE FOR  
ALL STANDARD HINGES  
WITH SINGLE AXEL



CAIS  
INNOVATION



WIND RESISTANCE  
MAX. 50%  
LEAF CLOSURE



90° MAX. ANGLE



SUITABLE FOR  
ALL STANDARD  
SWING GATE  
OPERATORS



BOTTOM FIXED LEAF  
SAFETY FEATURE



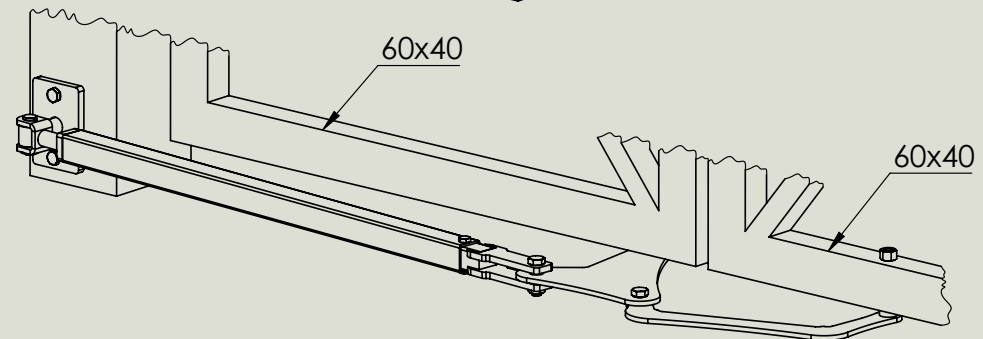
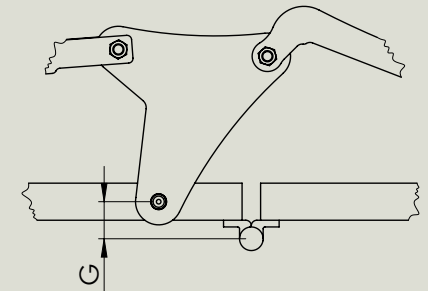
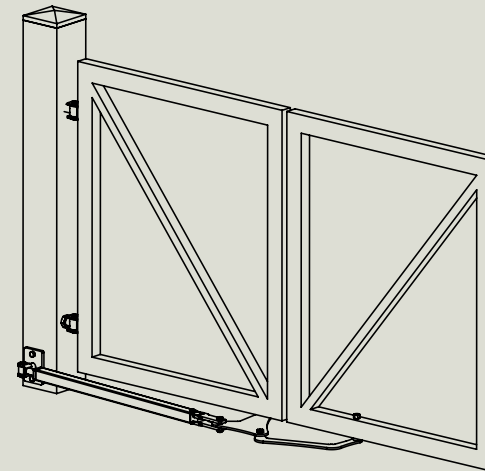
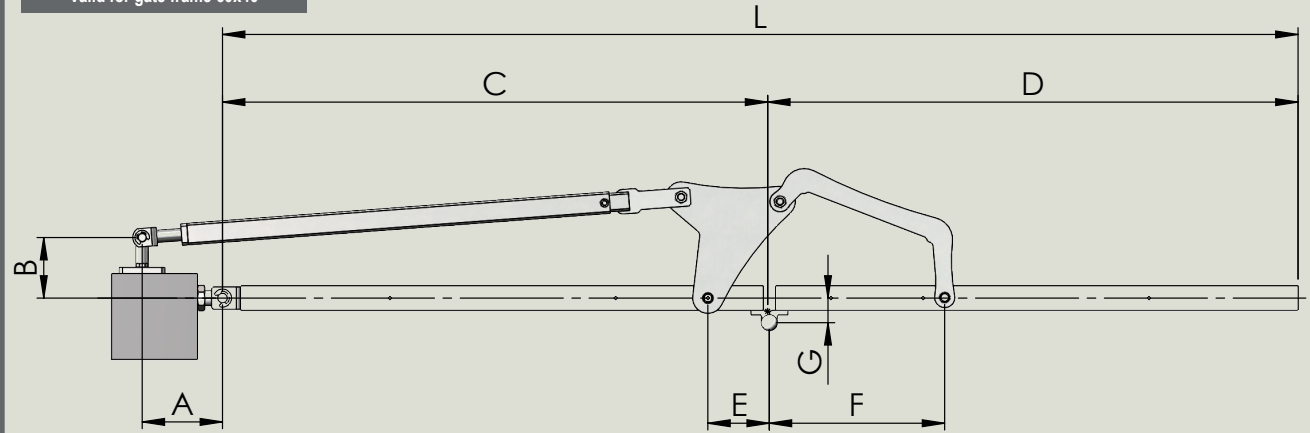
- 37°C  
TESTED & PROVEN

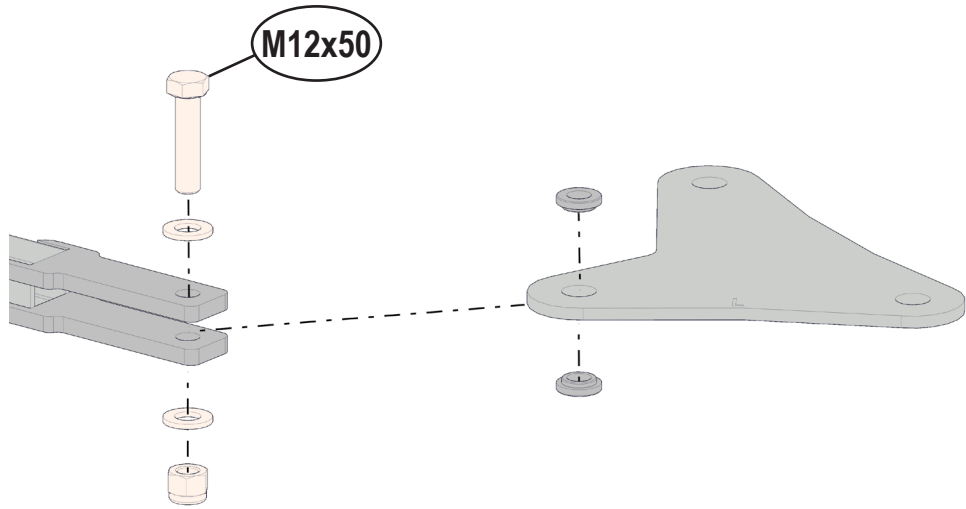


+ 50°C  
TESTED & PROVEN

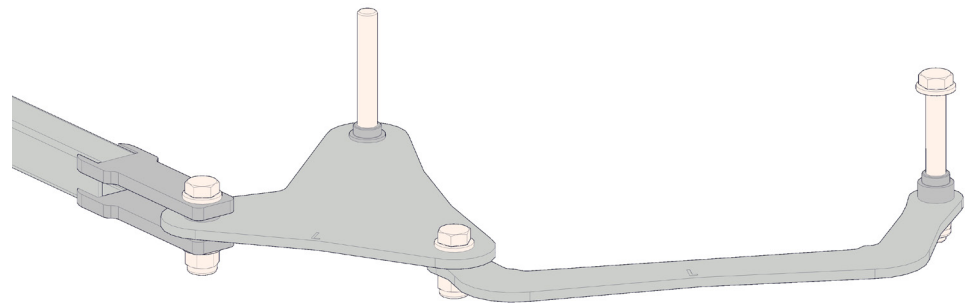
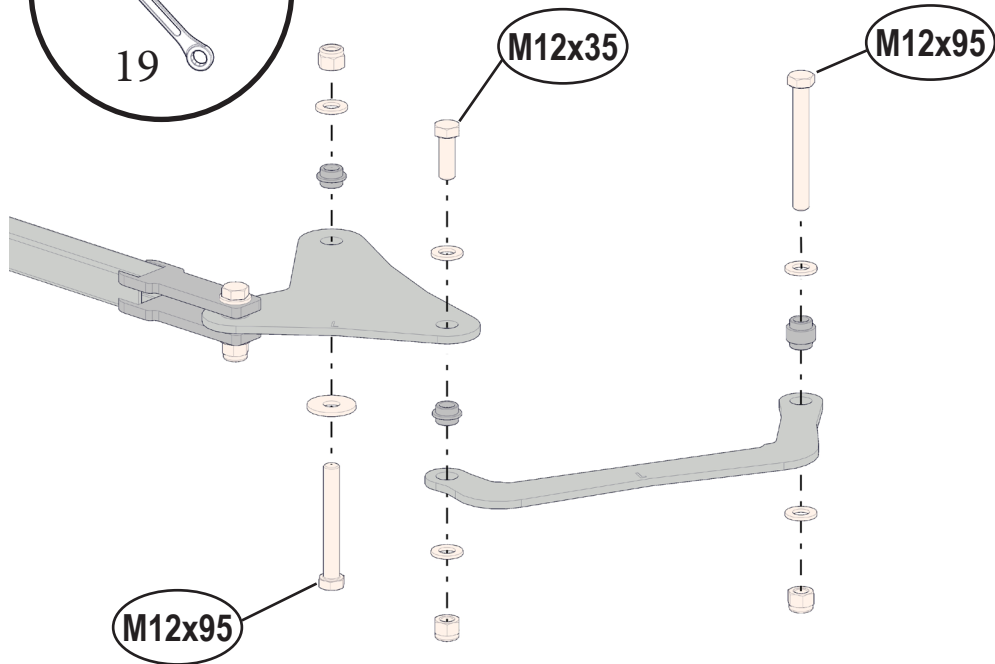
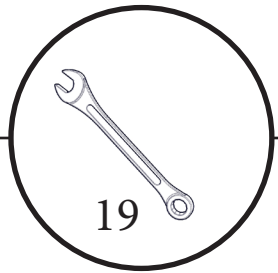
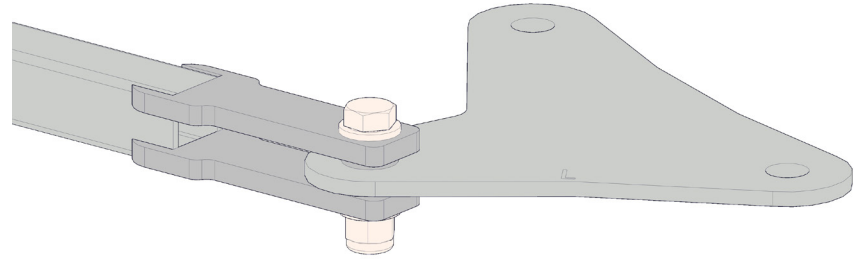
L max.	A	B	C	D min. / max.	E	F	G
mm							
3000	130	90	1500	300 - 1500	100	250	40

Valid for gate frame 60x40

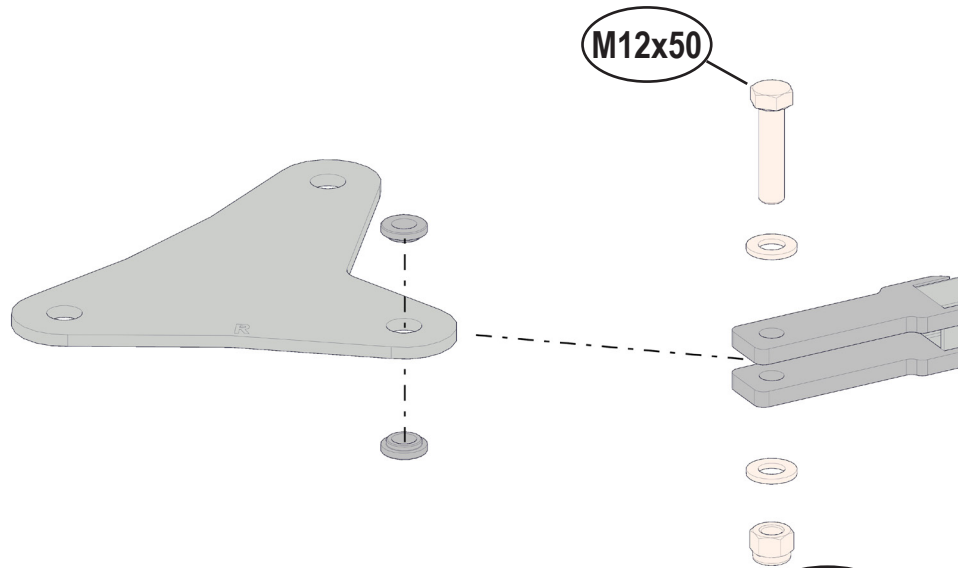




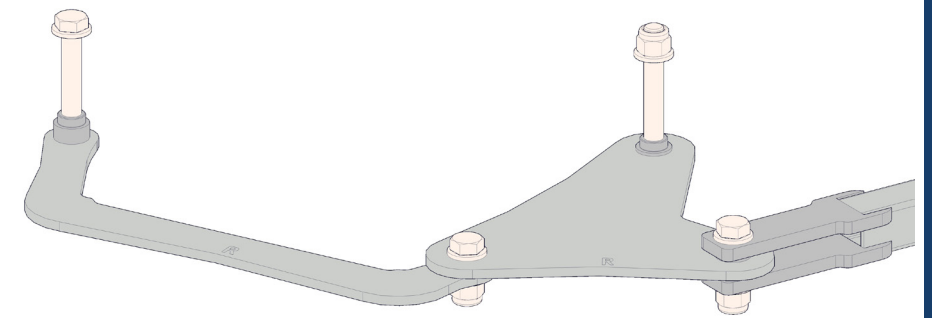
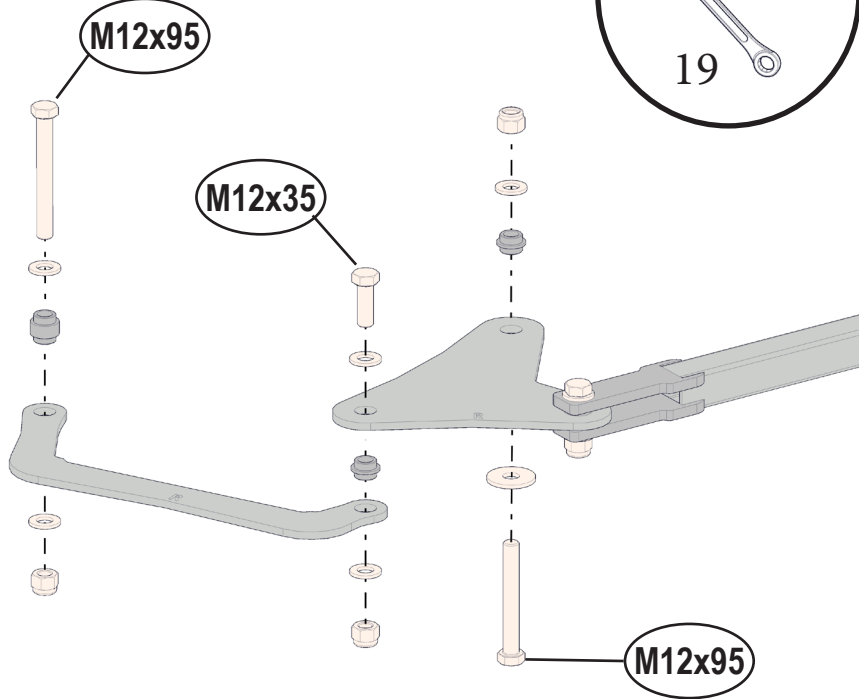
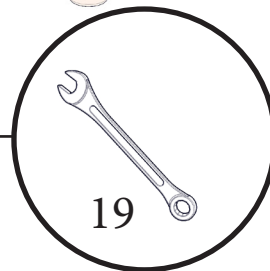
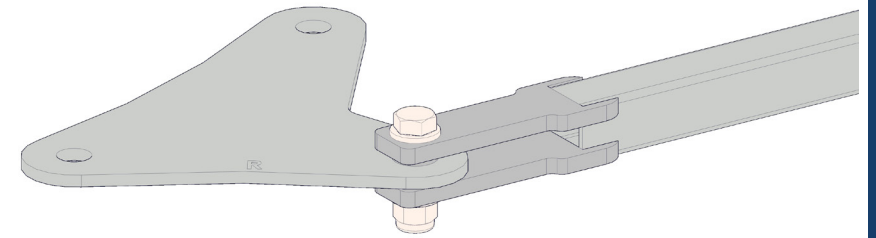
LEFT <<<

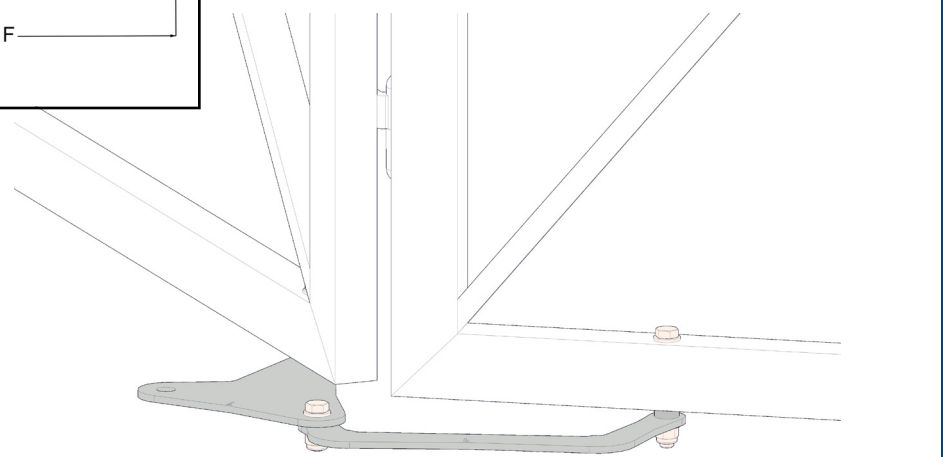
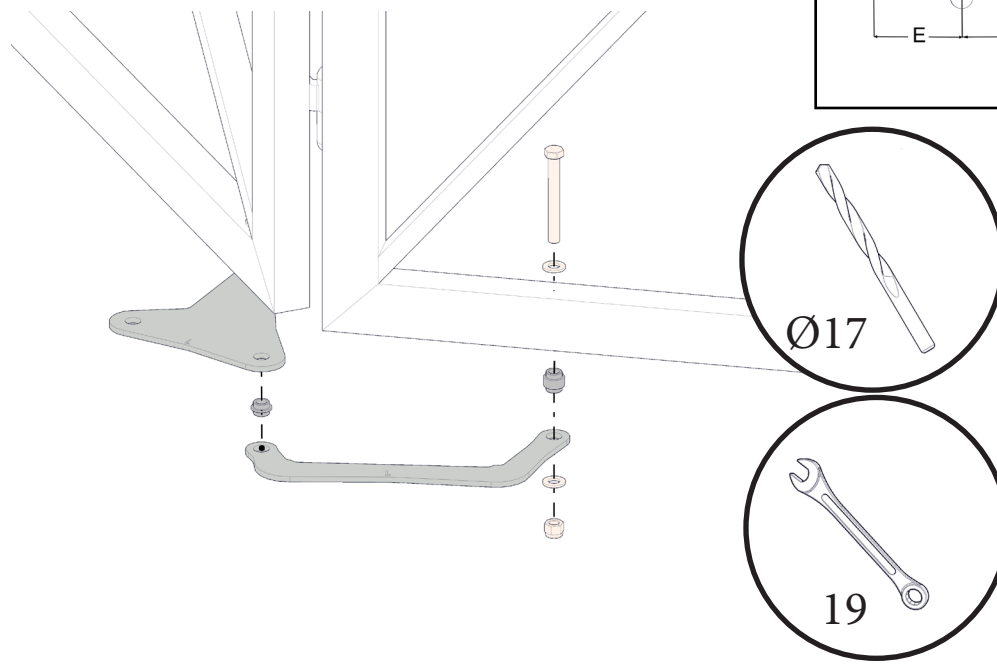
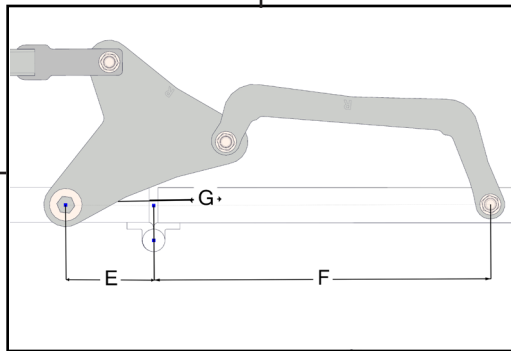
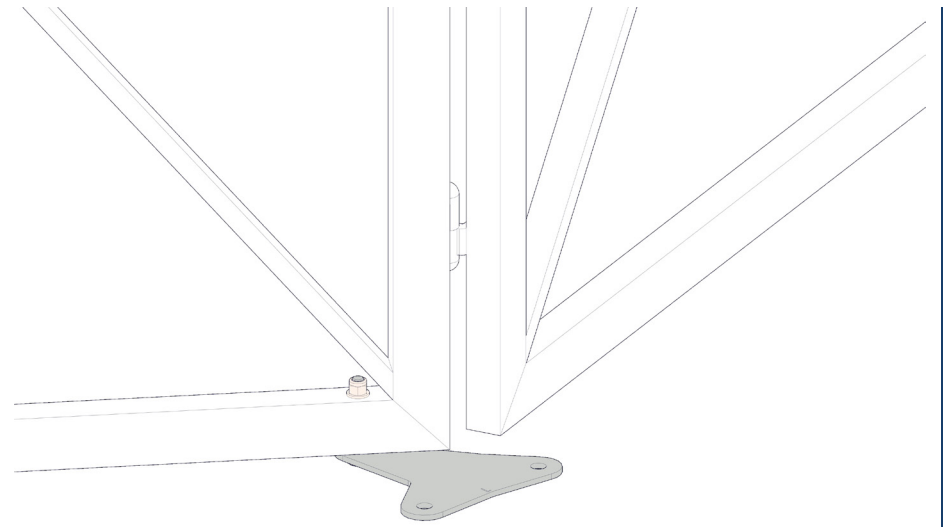
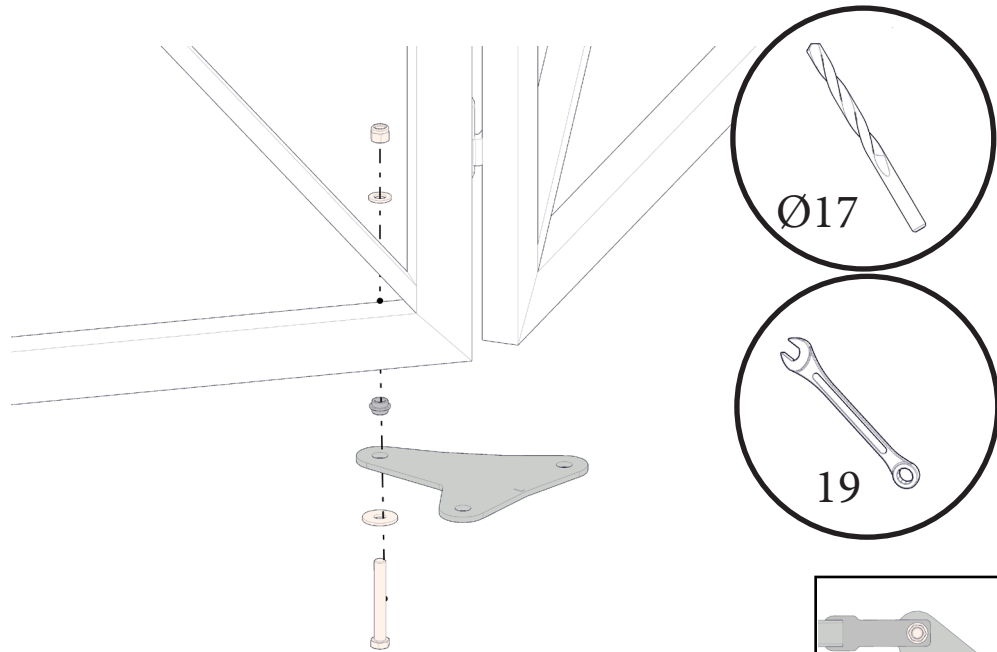


STEP 1 (A) - LEFT



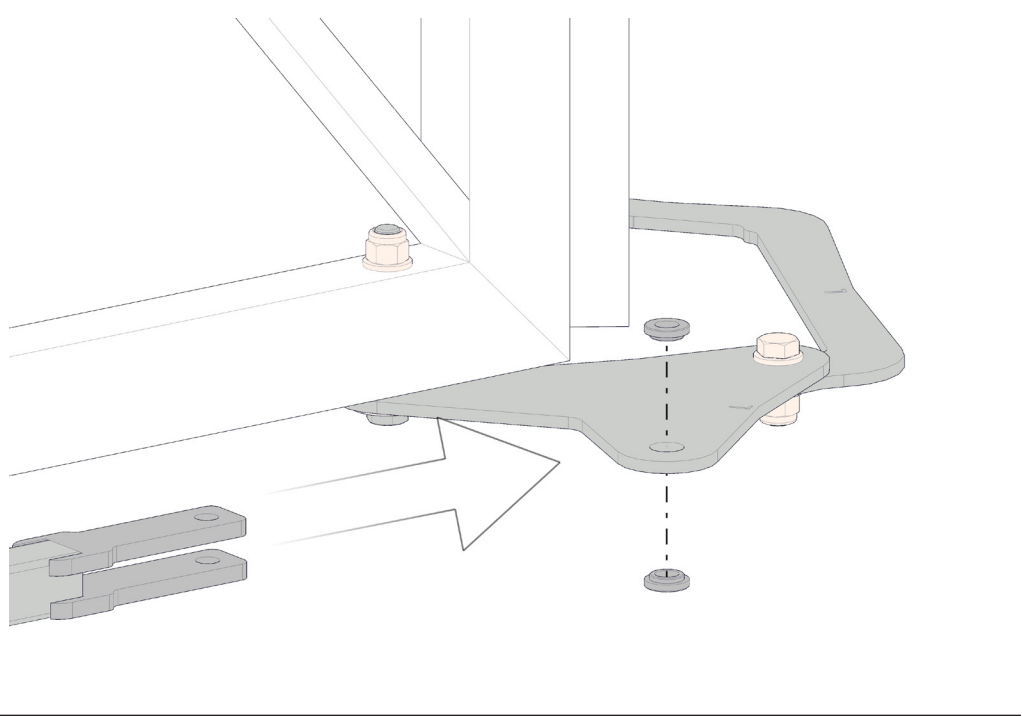
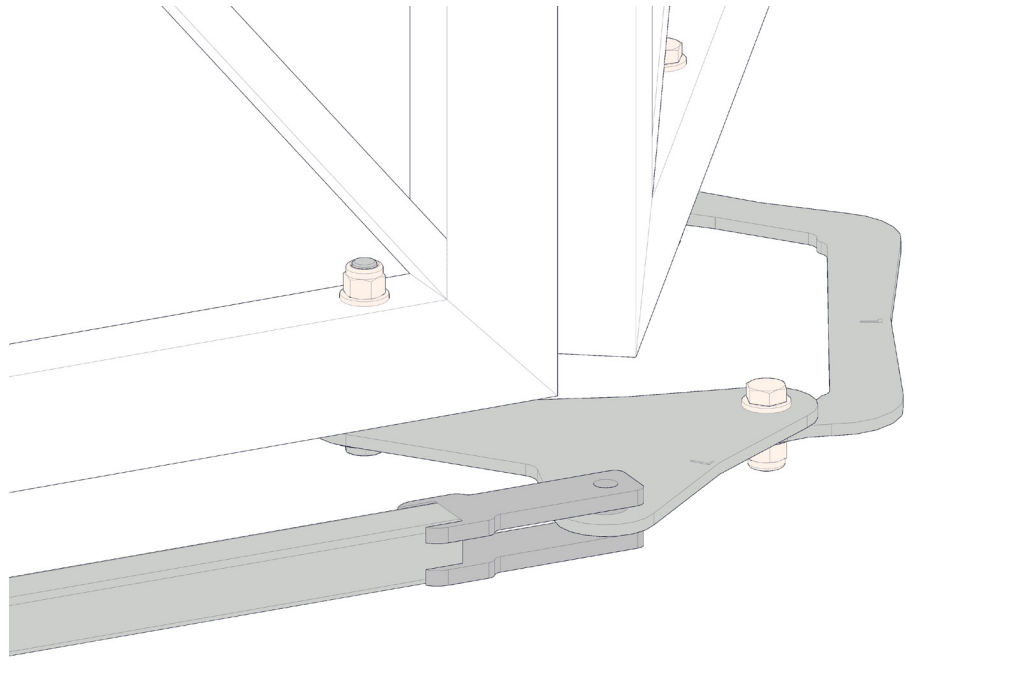
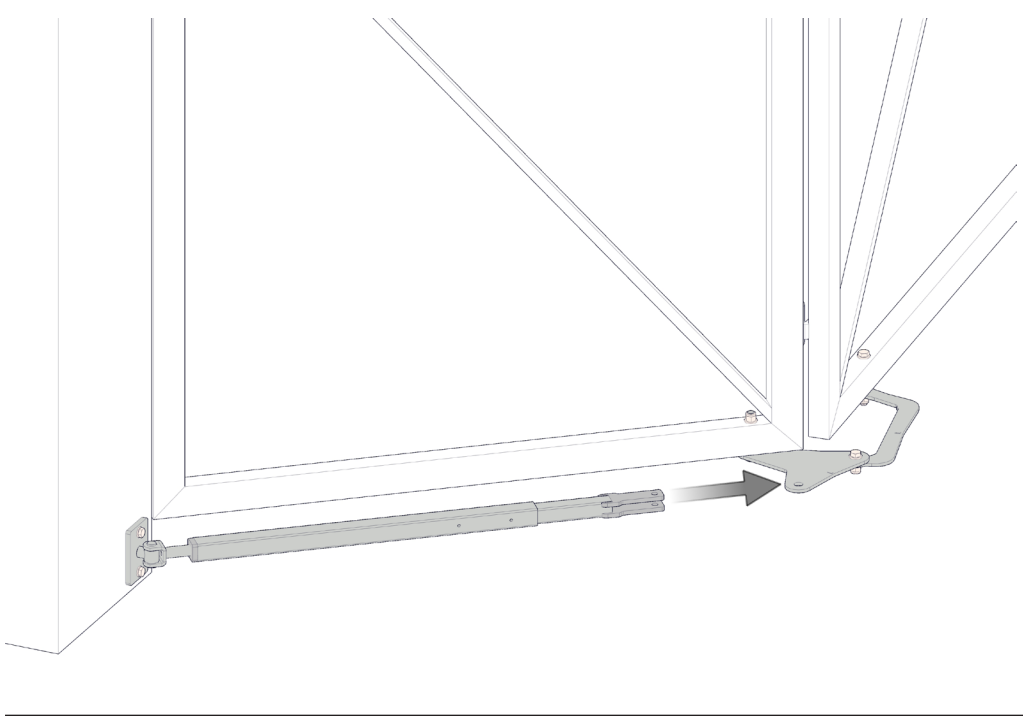
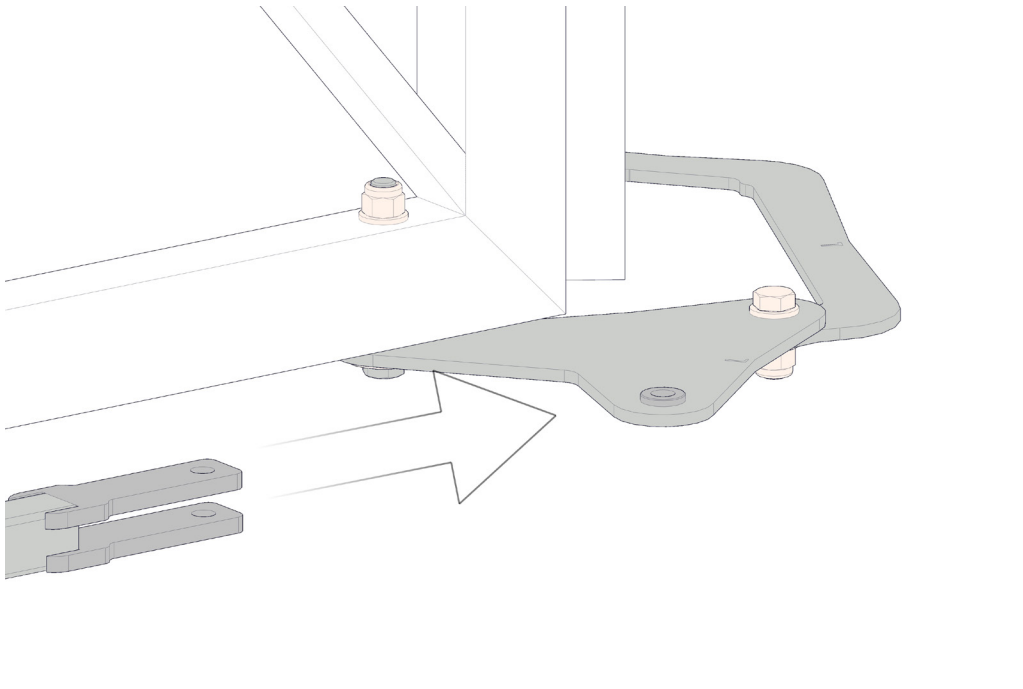
RIGHT >>>

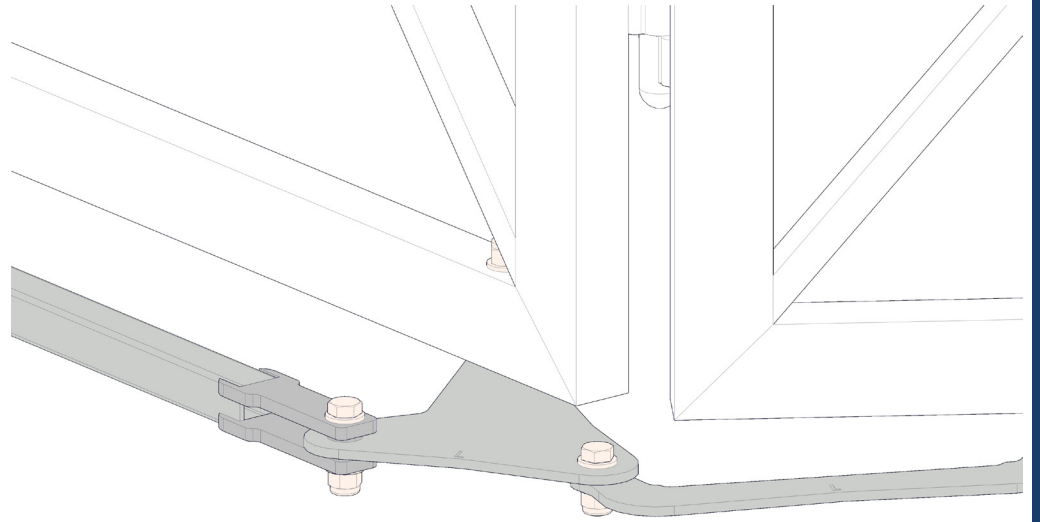
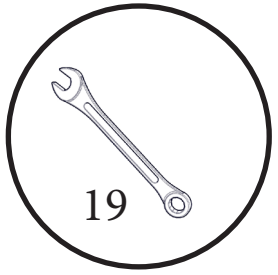
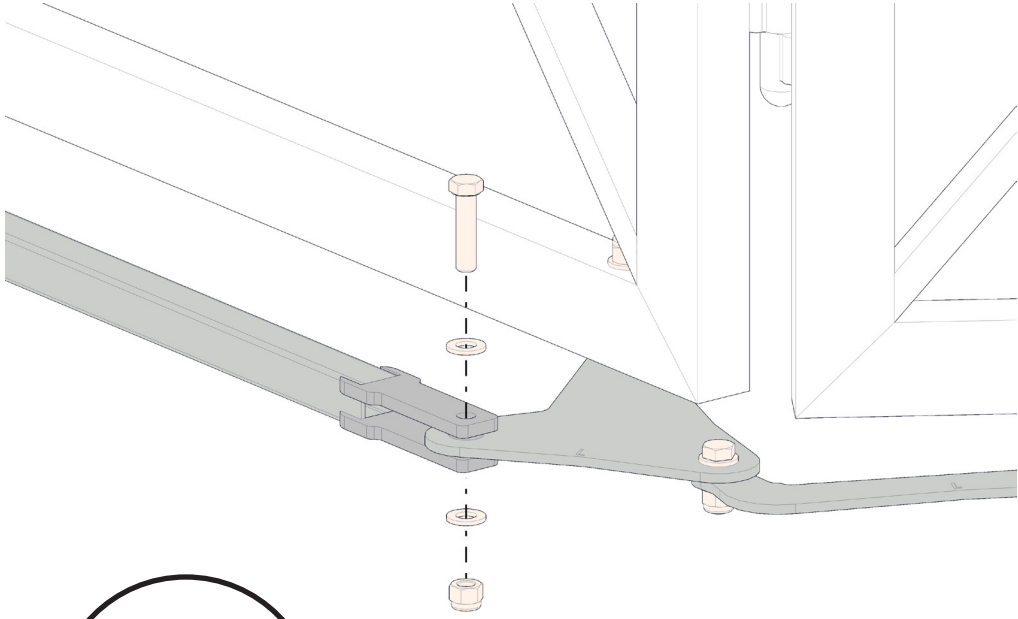


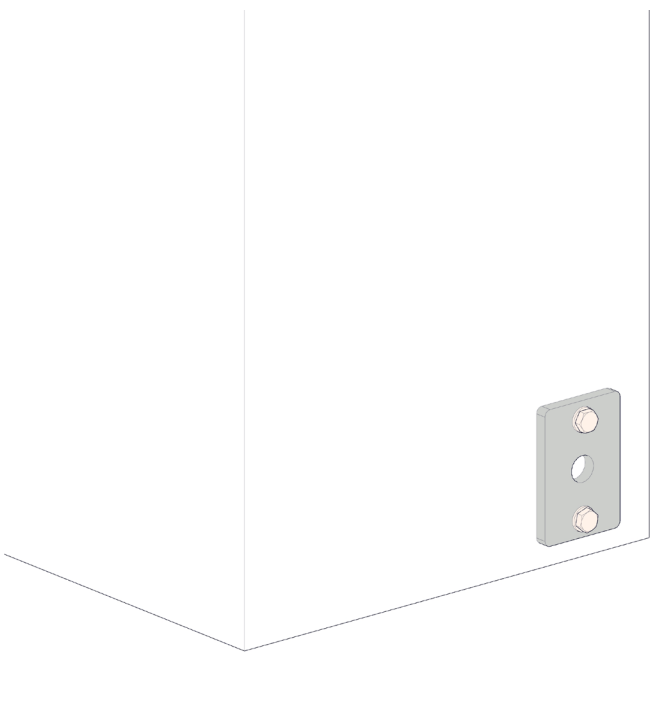
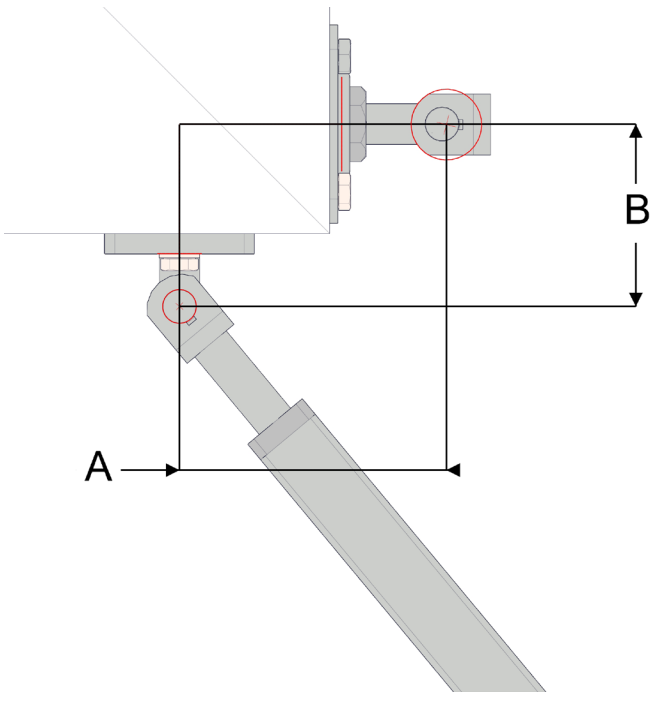
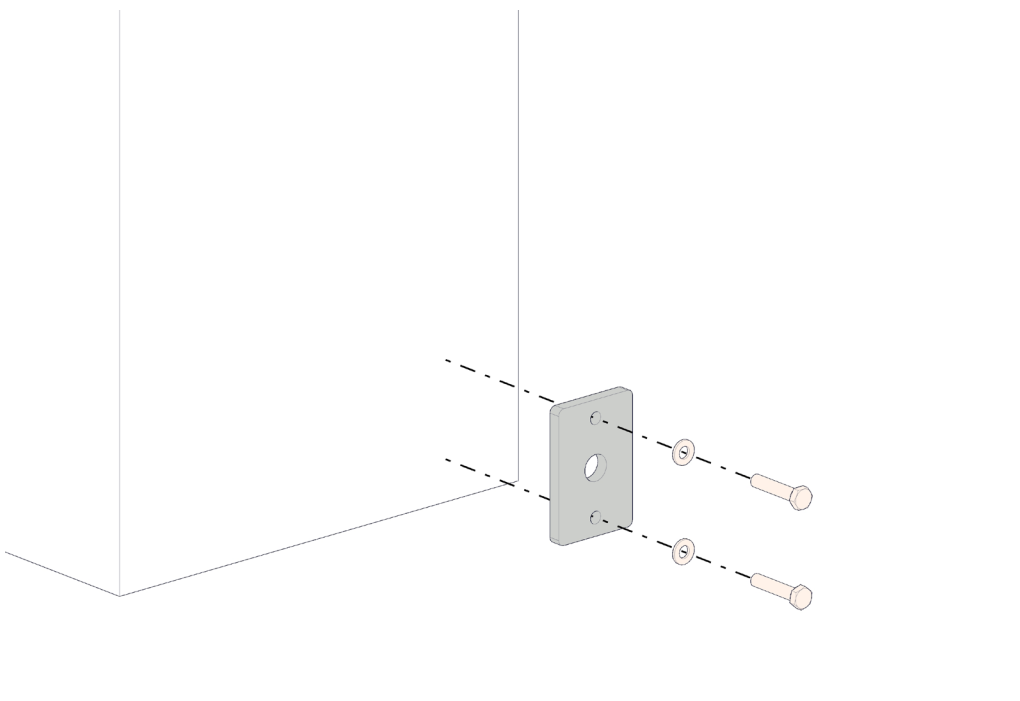
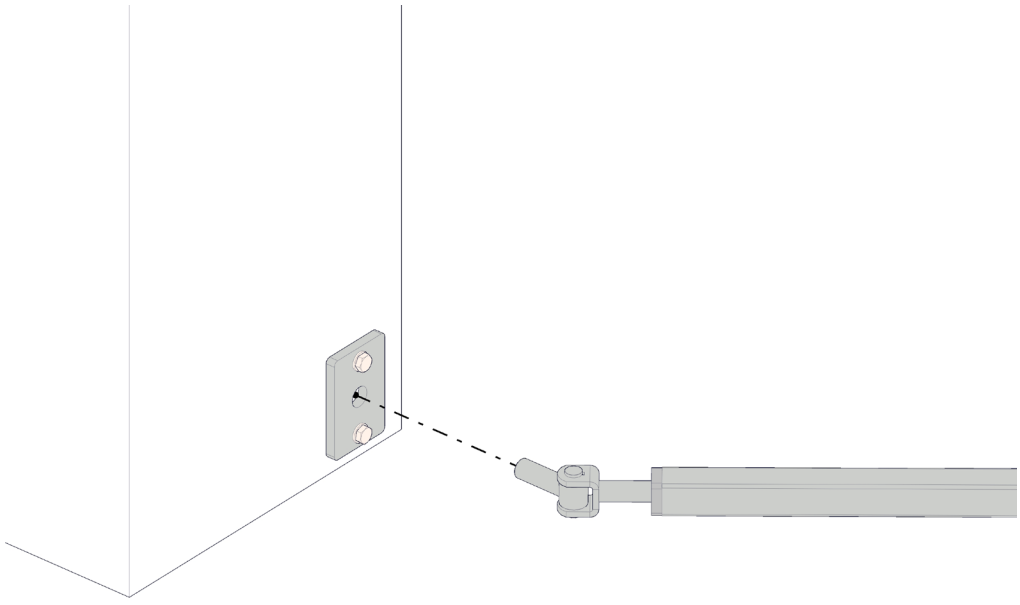


STEP 2

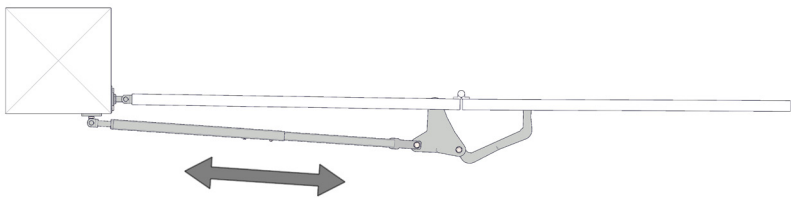
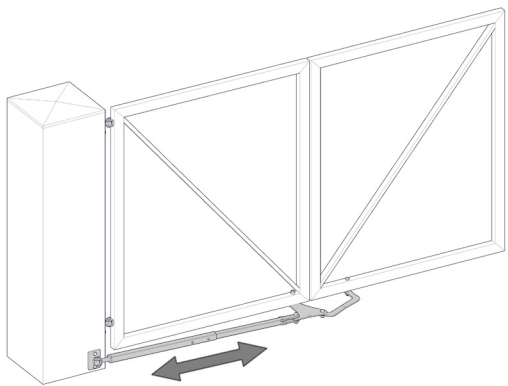
STEP 3



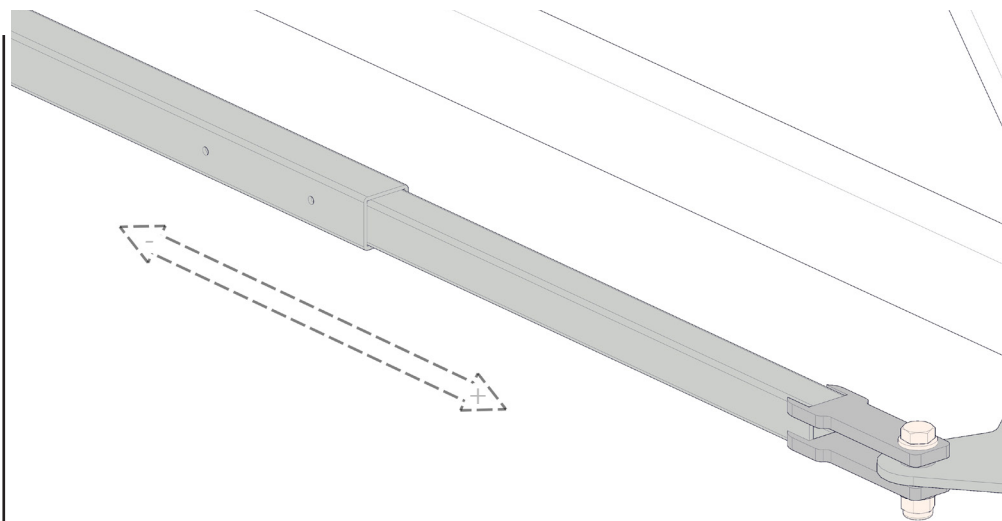




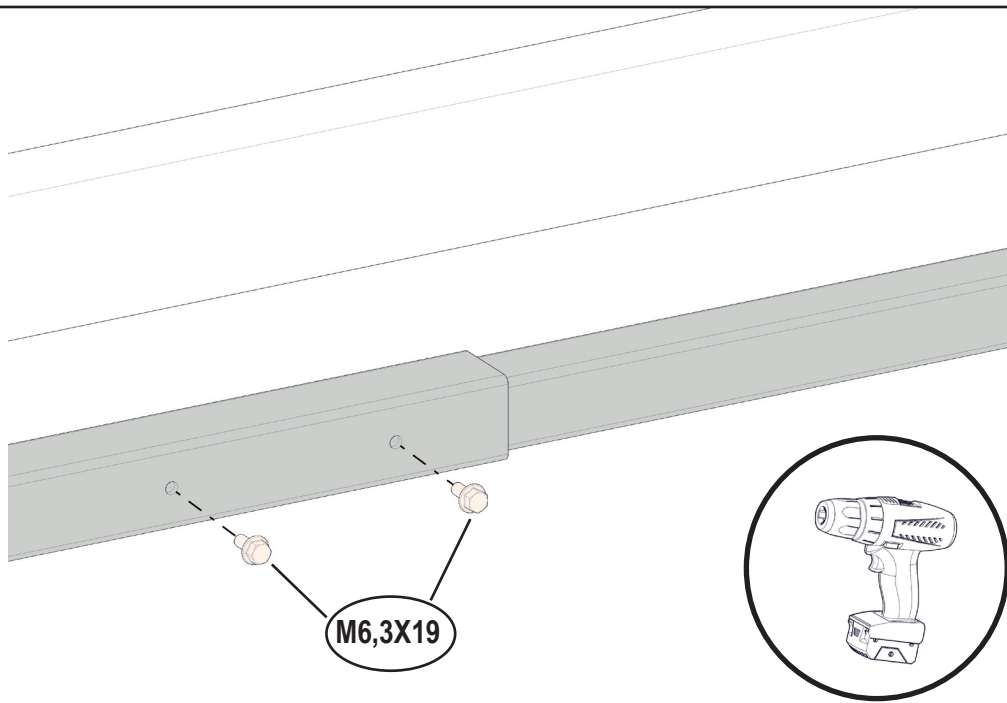




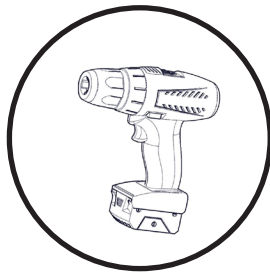
CLOSE



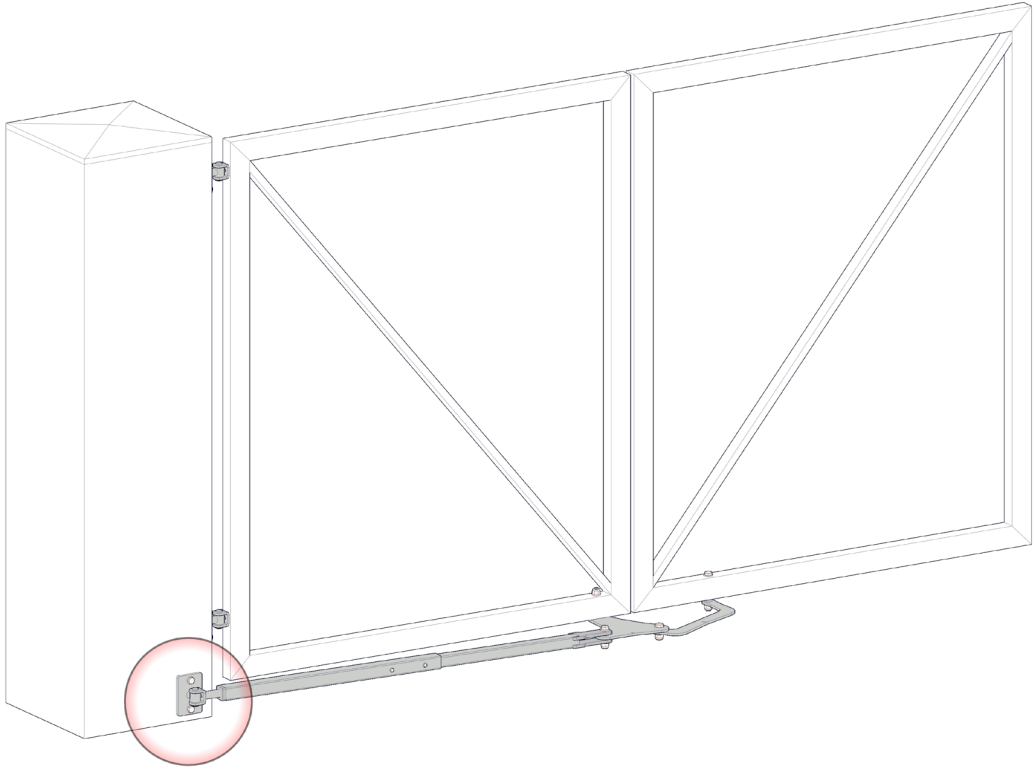
STEP 7



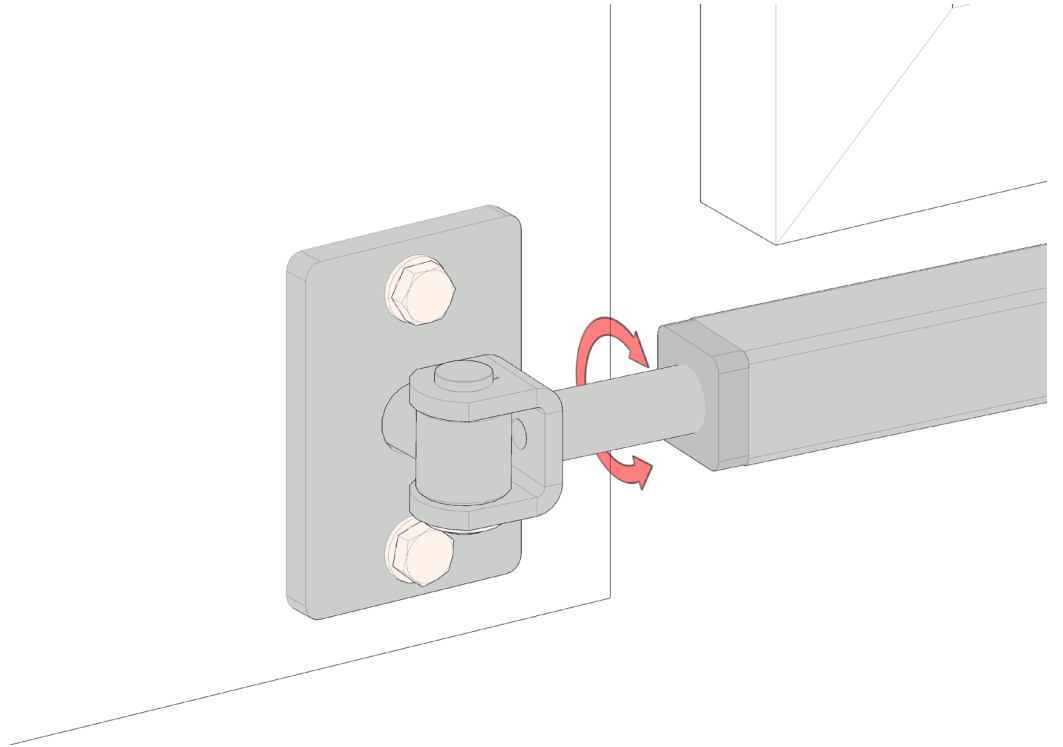
M6,3X19

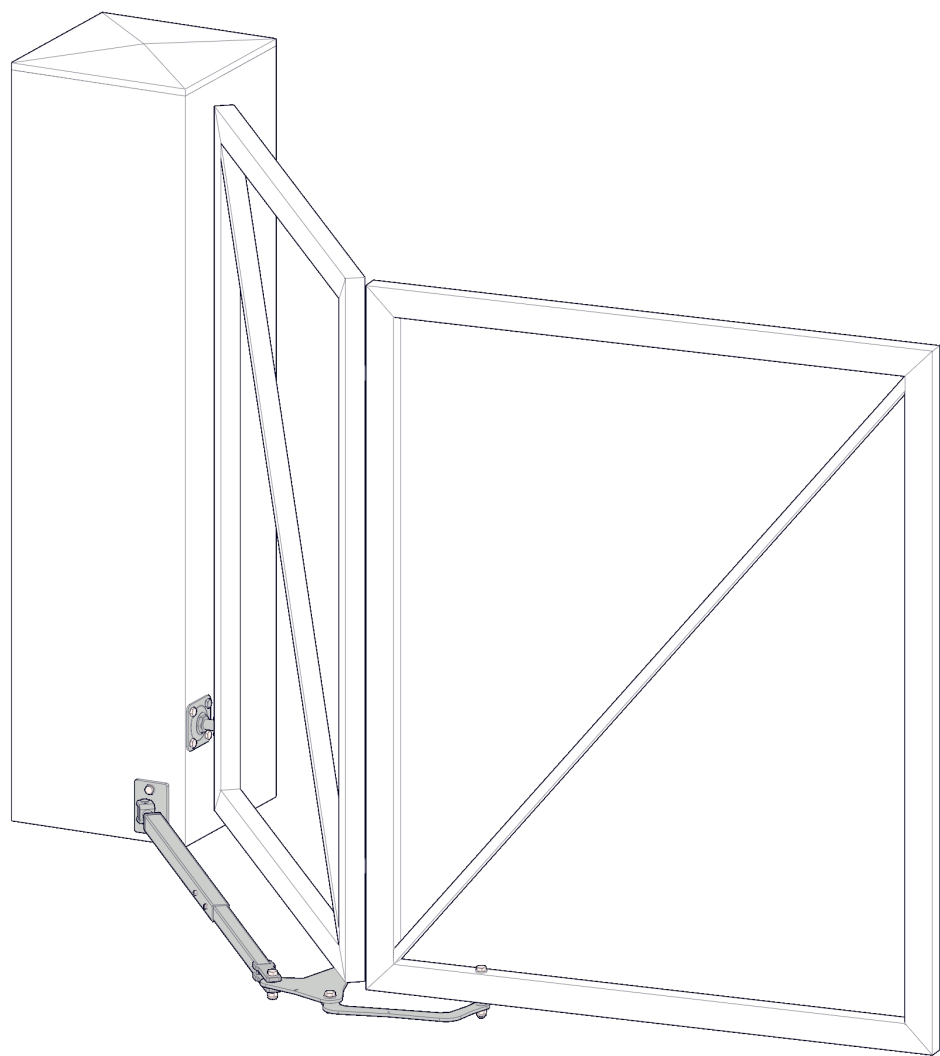


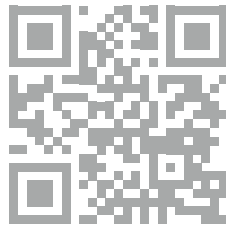
STEP 8



REGULATION







[www.cais.eu](http://www.cais.eu)