



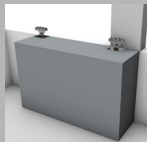
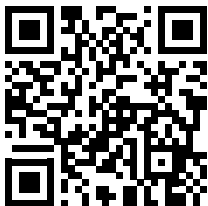
60 minutes



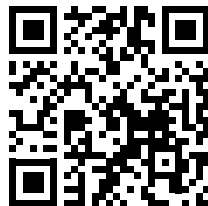
CONNECT 60 ASSEMBLY MANUAL



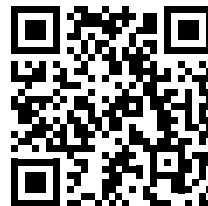
VIDEO
MANUAL



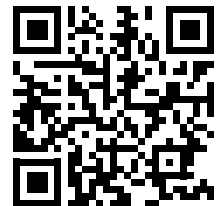
CONSTRUCTION
SITE PREPARATION



DIAGON 60
SETTING



CAIS
CATALOG



CONNECT 60 - 4.0/1.5

CODE	ART.	PCS
	FRAME 1.5	1 pc
	KIT - BOLTS, NUTS	1 pc
1700004	RUN S	1 pc
1700005	LAST S	1 pc
1700007	PILOT SN	2 pcs
1700174	SPEED SE	2 pcs
1700237	DIAGON 60	1 pc
1700339	JRS 30	1 pc
1700359	PARK CSM	1 pc
1700367	DOCKER O	1 pc
1720016	STAGE SZ 2,8	2 pcs

Total weight = 142 kg

CODE: 1700802

CONNECT 60 - 4.0/1.3

CODE	ART.	PCS
	FRAME 1.3	1 pc
	KIT - BOLTS, NUTS	1 pc
1700004	RUN S	1 pc
1700005	LAST S	1 pc
1700007	PILOT SN	2 pcs
1700174	SPEED SE	2 pcs
1700237	DIAGON 60	1 pc
1700339	JRS 30	1 pc
1700359	PARK CSM	1 pc
1700367	DOCKER O	1 pc
1720016	STAGE SZ 2,8	2 pcs

Total weight = 139 kg

CODE: 1700801

CONNECT 60 - 4.0/1.1

CODE	ART.	PCS
	FRAME 1.1	1 pc
	KIT - BOLTS, NUTS	1 pc
1700004	RUN S	1 pc
1700005	LAST S	1 pc
1700007	PILOT SN	2 pcs
1700174	SPEED SE	2 pcs
1700237	DIAGON 60	1 pc
1700339	JRS 30	1 pc
1700359	PARK CSM	1 pc
1700367	DOCKER O	1 pc
1720016	STAGE SZ 2,8	2 pcs

Total weight = 135 kg

CODE: 1700800

RUN S



1700004

LAST S



1700005

PILOT SN



1700007

SPEED SE



1700174

DIAGON 60



1700237

JRS 30



1700339

PARK CSM



1700359

DOCKER O



1700367

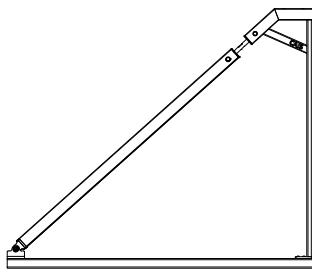
STAGE SZ 2,8



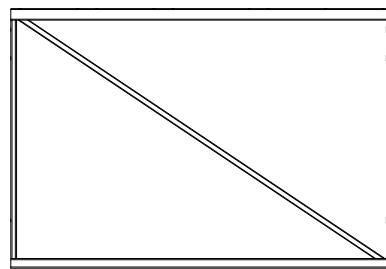
1720016

SECTION 1

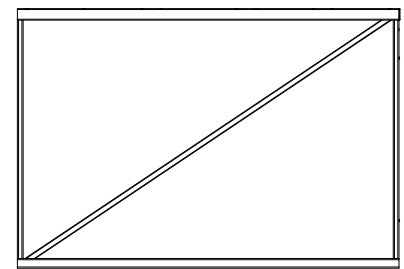
HEIGHT	WEIGHT
mm	kg
1500	21
1300	20
1100	19

**SECTION 2**

HEIGHT	WEIGHT
mm	kg
1500	28,5
1300	27
1100	25,5

**SECTION 3**

HEIGHT	WEIGHT
mm	kg
1500	28,5
1300	27
1100	25,5

**MAXIMUM LOAD ON THE GATE LEAF 125 kg**

TOWER 1.5

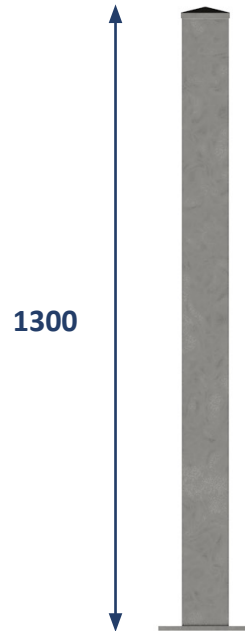
Total weight = 15 kg

CODE: 1710805

**TOWER 1.3**

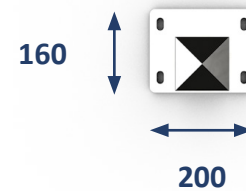
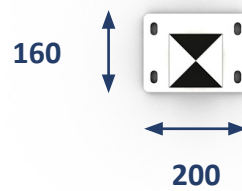
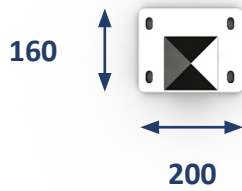
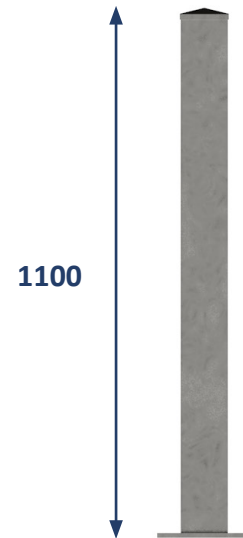
Total weight = 13,5 kg

CODE: 1710804

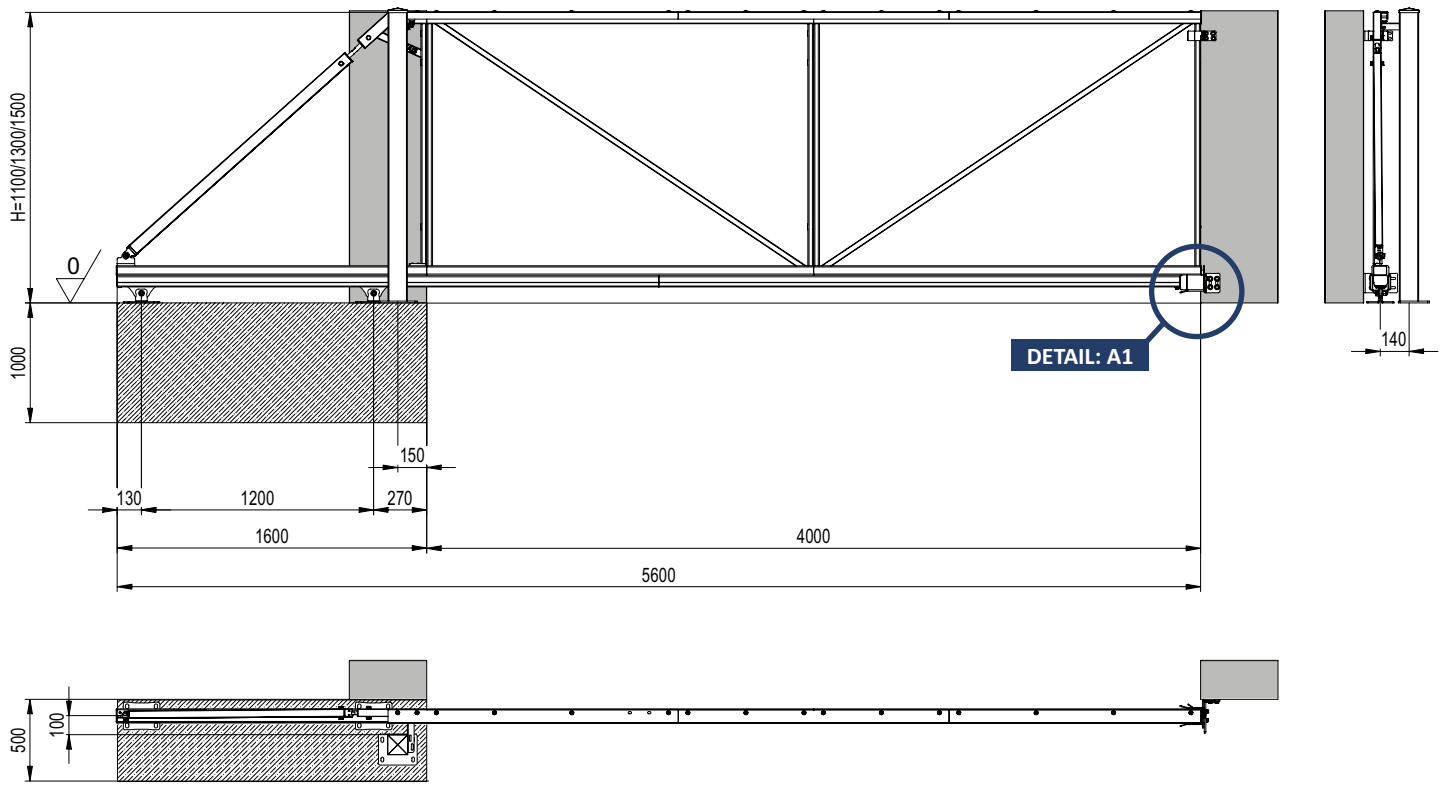
**TOWER 1.1**

Total weight = 12 kg

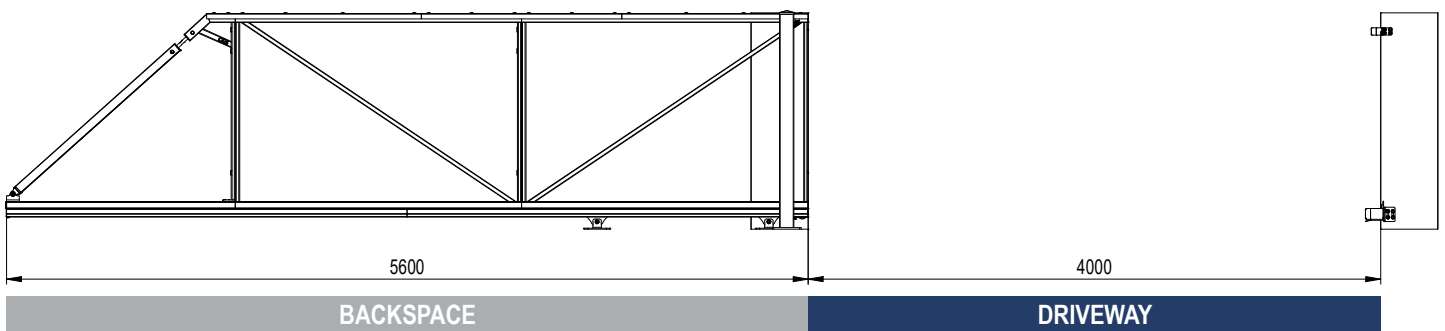
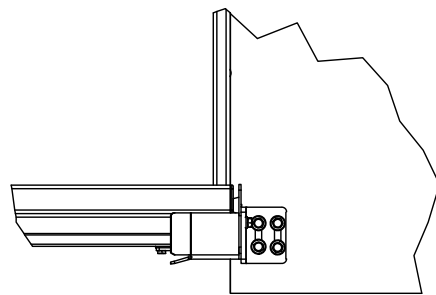
CODE: 1710803

***NOT INCLUDED IN SET CONNECT 60**

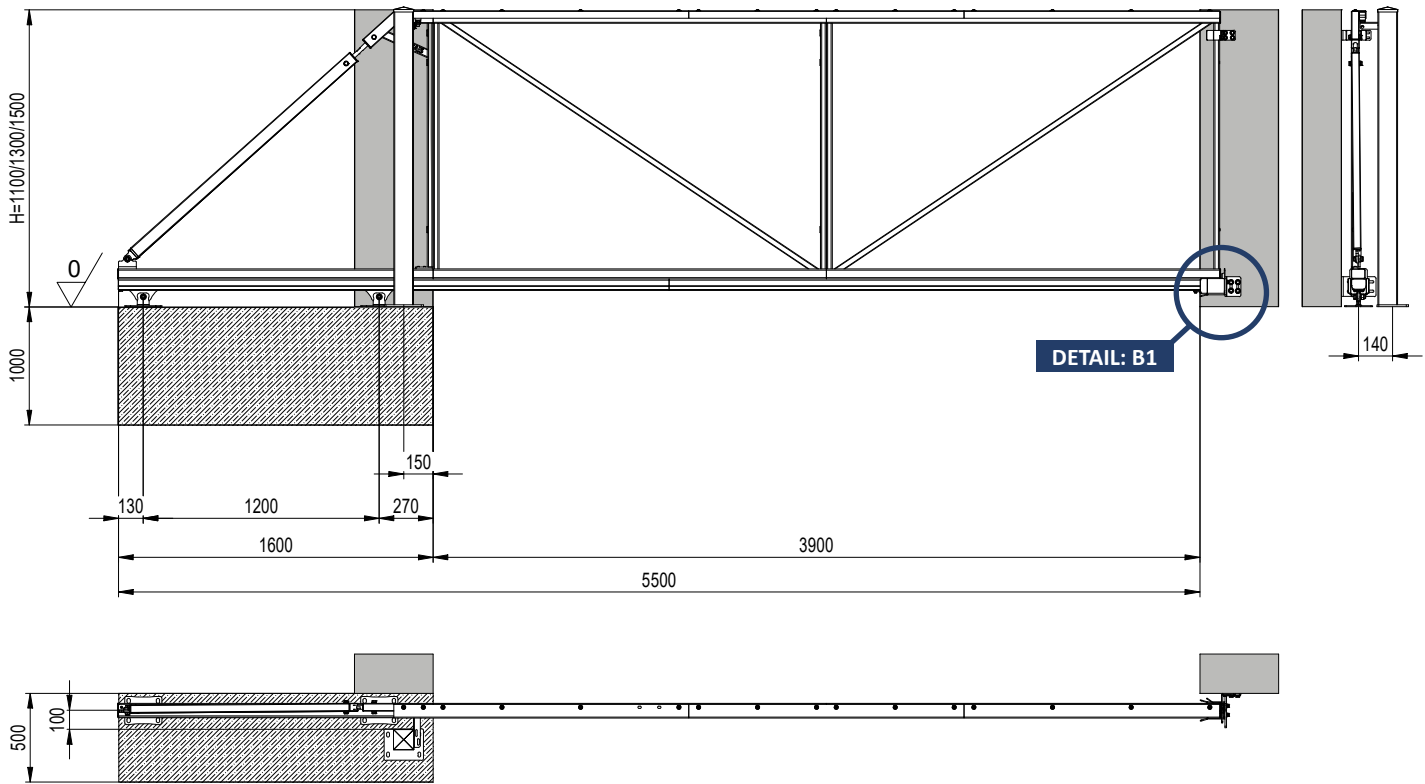
DRIVEWAY 4000 mm



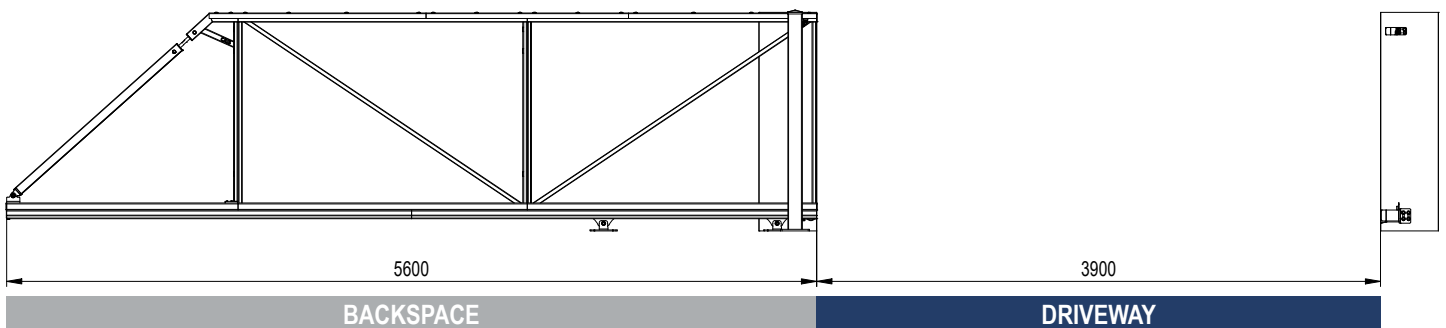
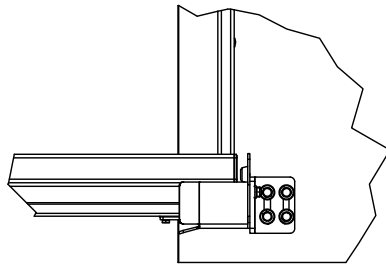
A1 (1:20)



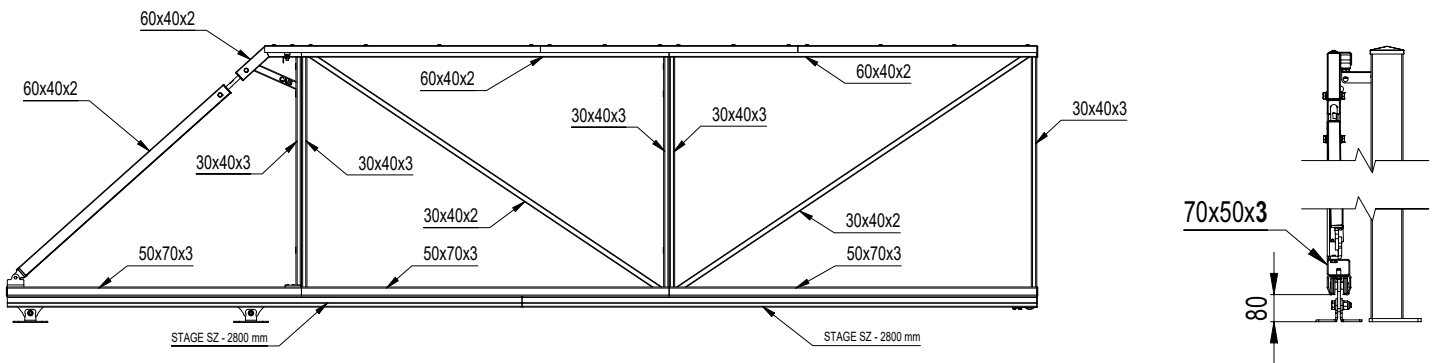
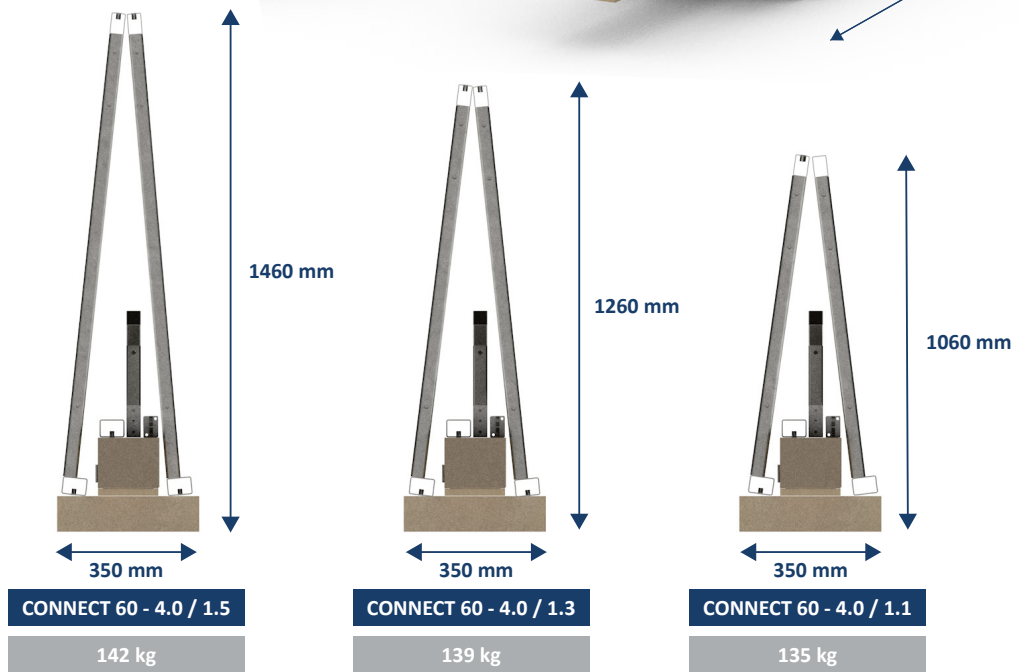
DRIVEWAY 3900 mm



B1 (1:20)



CONNECT 60



MAXIMUM LOAD ON THE GATE LEAF 125 kg

CERTIFICATION



CONNECT 60

REPORT OF ASSESSMENT OF PERFORMANCE
NO.755200134 / 2022

Notified Body No. 1023

**INSTITUTE FOR TESTING
AND
CERTIFICATION**

Třída Tomáše Bati 299
763 02 Zlín, Czech Republic
Division CSI - Centre of Civil Engineering



Assessed by
Ing. Vratislav Glos

26.05.2022

MANAGING DIRECTOR
Mr. Miroslav Cais



CAIS s. r. o.
Přehradní 199
763 16 Fryšták
Czech Republic



EN 13241:2003+A2:2016
Serial number: 600000
Date:
Resistance
to wind load: Class
2006/42/ES

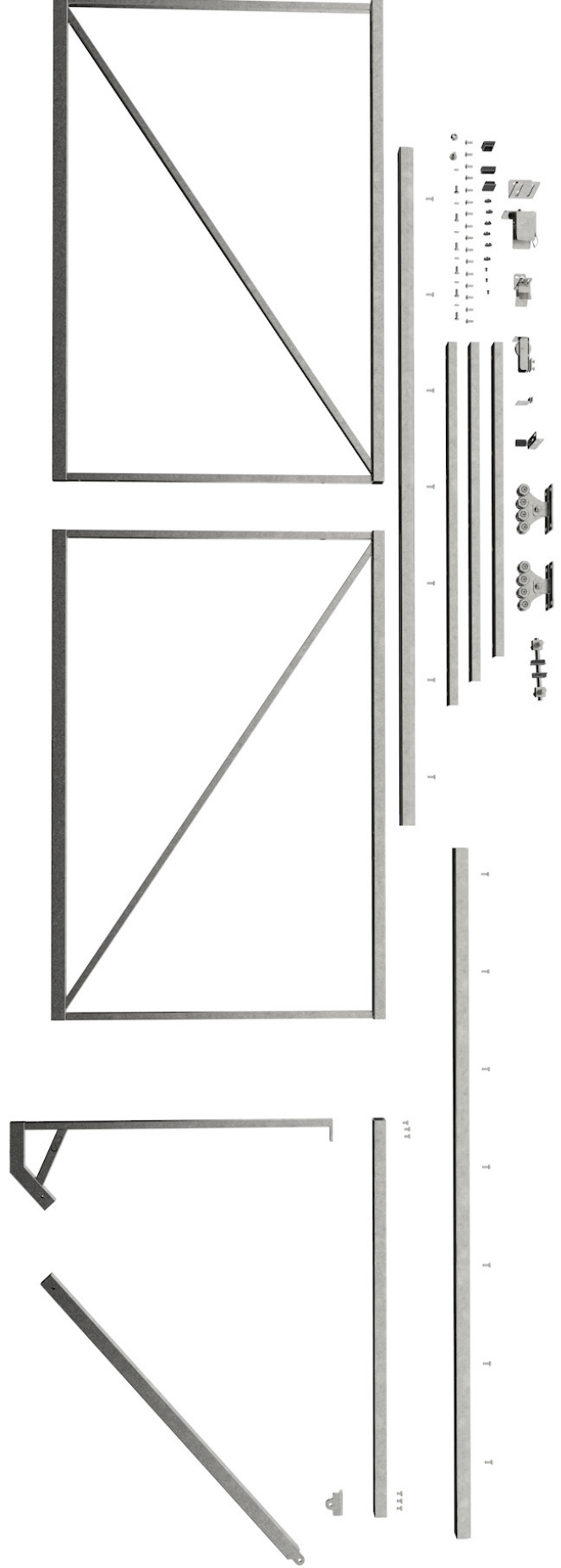
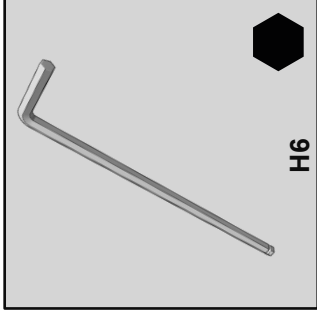
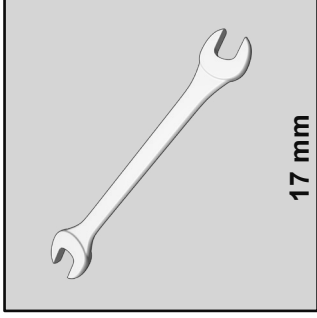
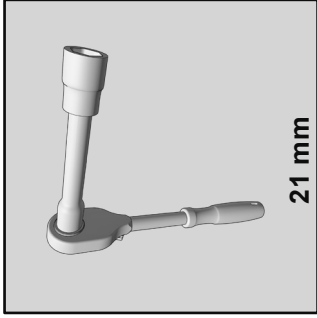
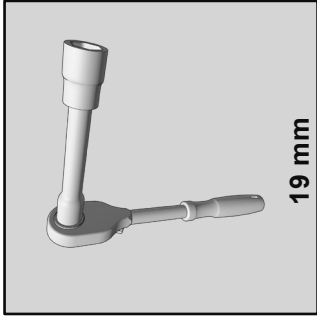
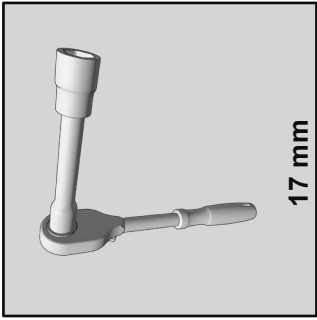
PATENT

OFFICE PŘÍKRYL

has registered at industrial
property office for **GERMANY**
the utility model number
20 2015 103 846
for **E-BOX** cantilever gate,
produced by **CAIS s.r.o.**

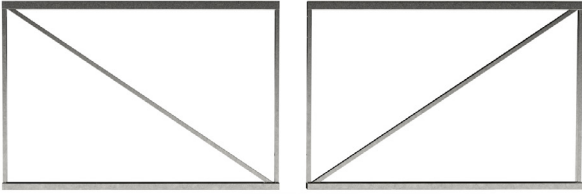
ASSEMBLY MANUAL

TOOLS



ASSEMBLY MANUAL

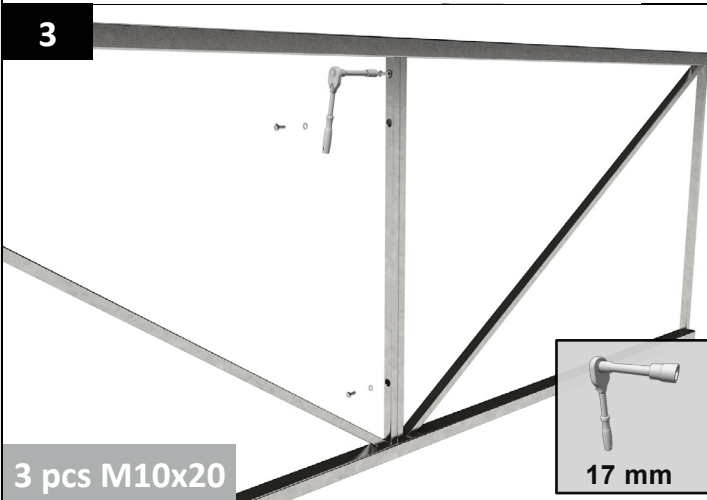
1



2



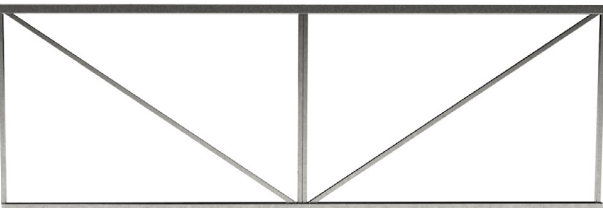
3



4



5

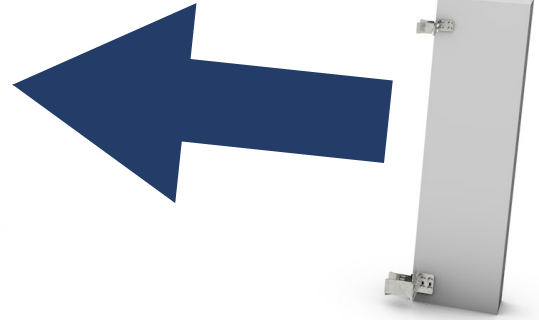




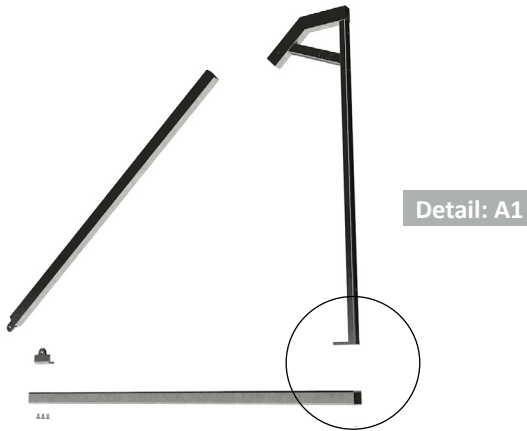
A - LEFT OPENING



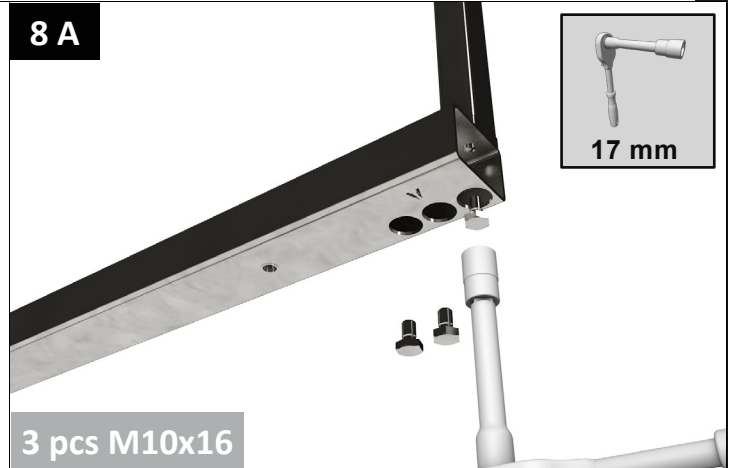
6 A



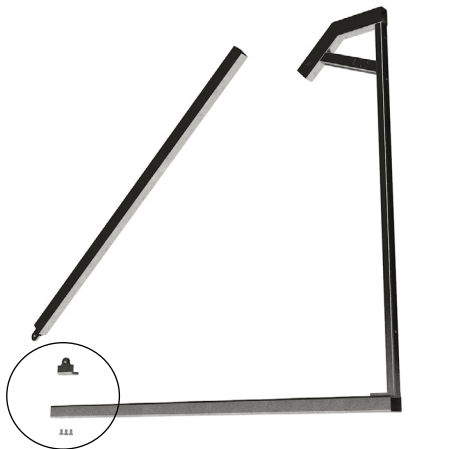
7 A



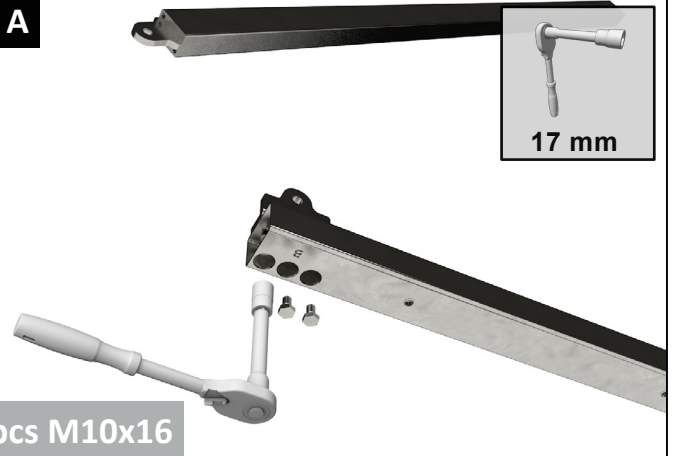
8 A



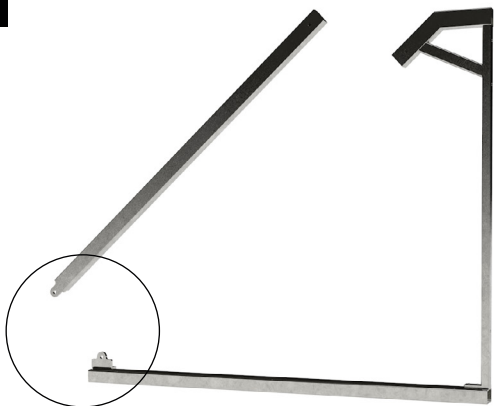
9 A



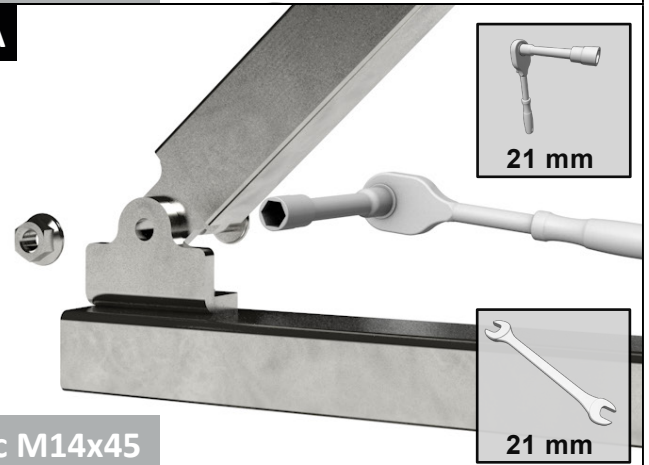
10 A



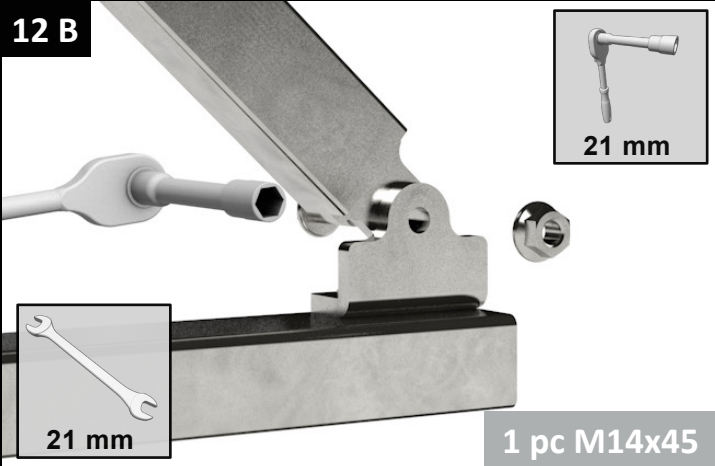
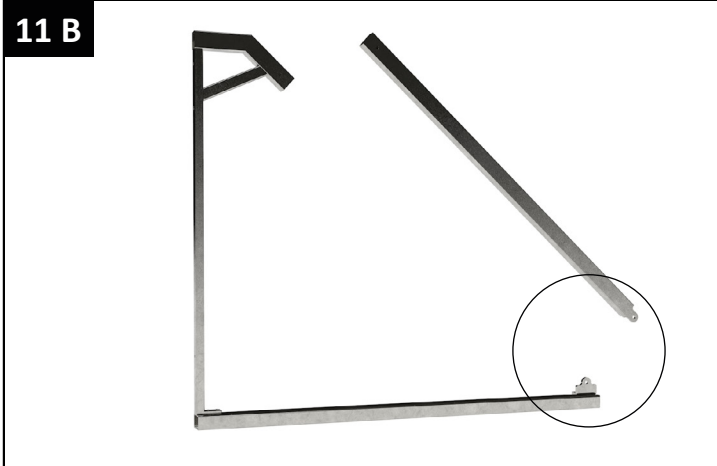
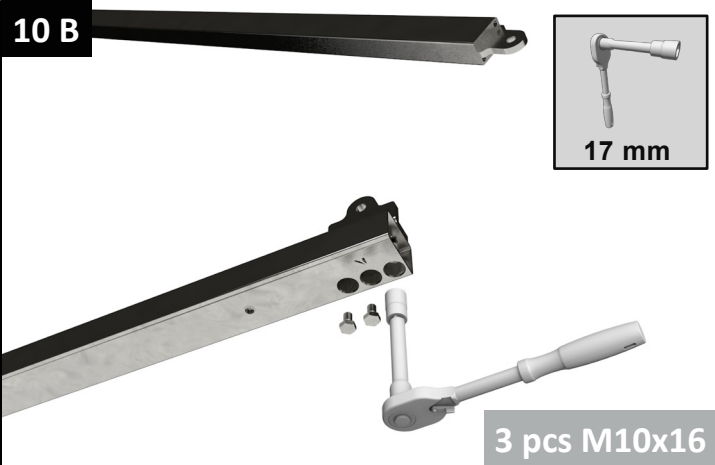
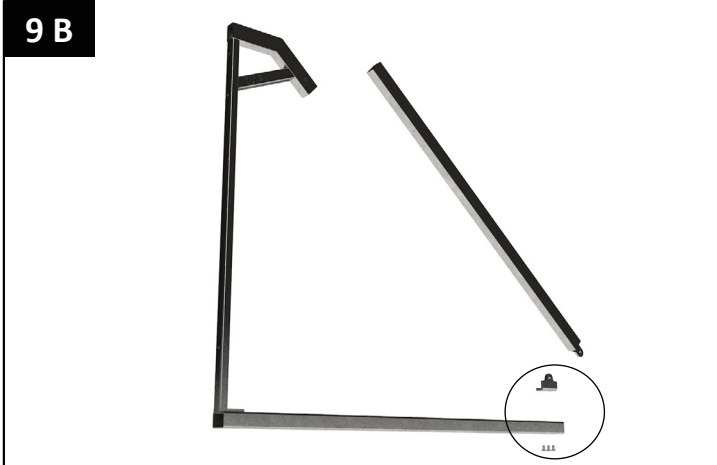
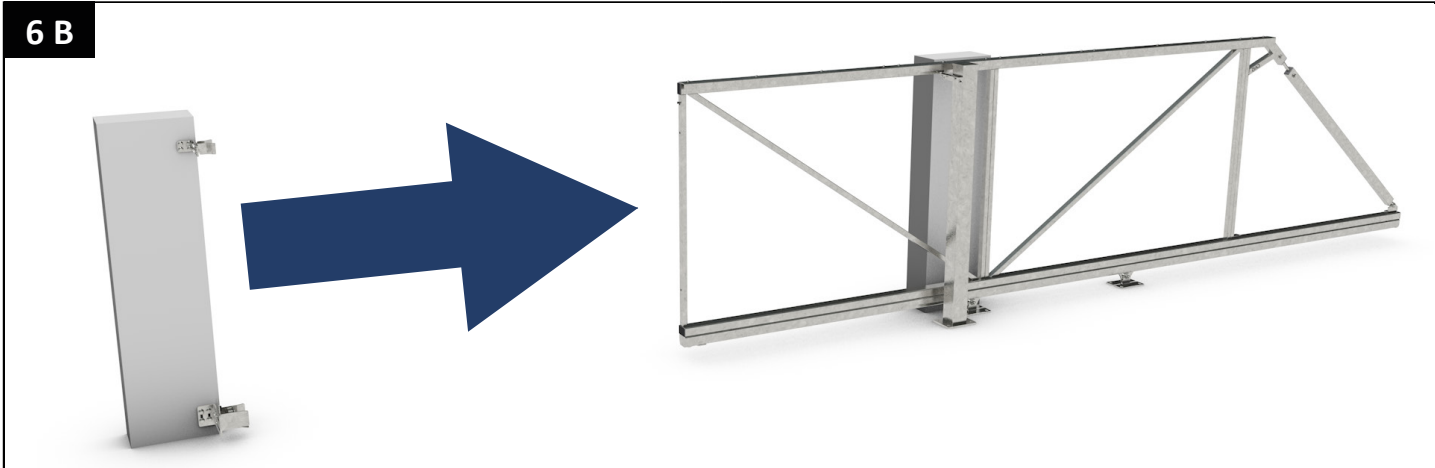
11 A



12 A

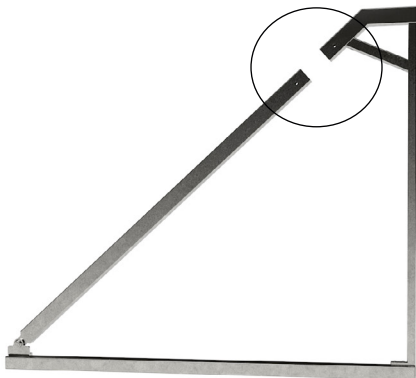


→ **B - RIGHT OPENING** →



12

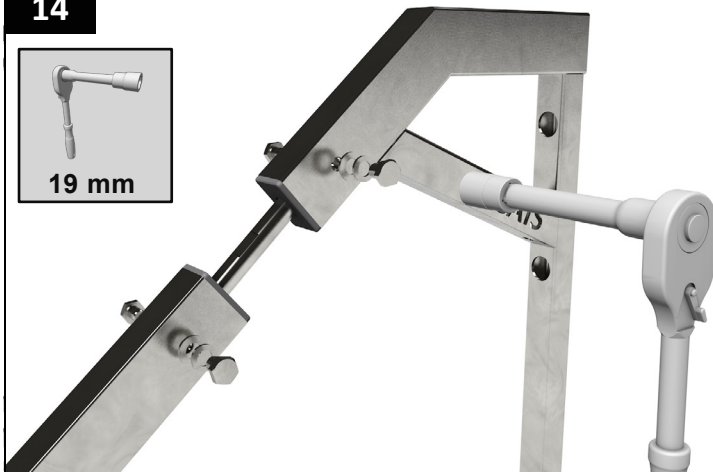
13



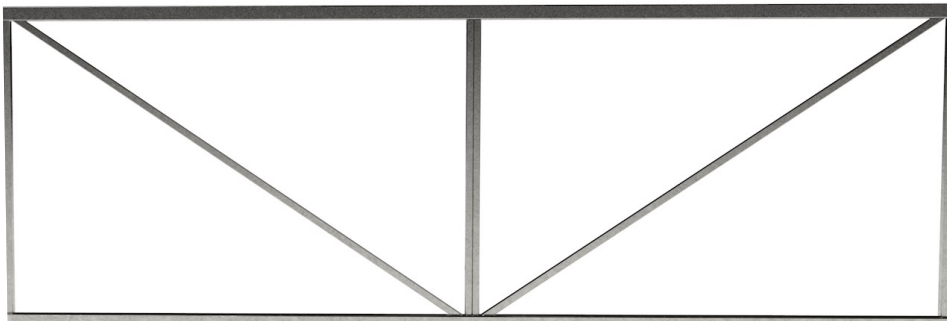
14



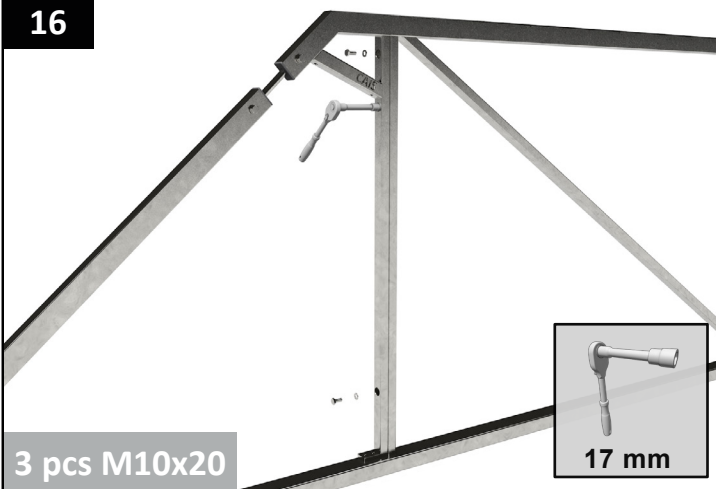
19 mm



15



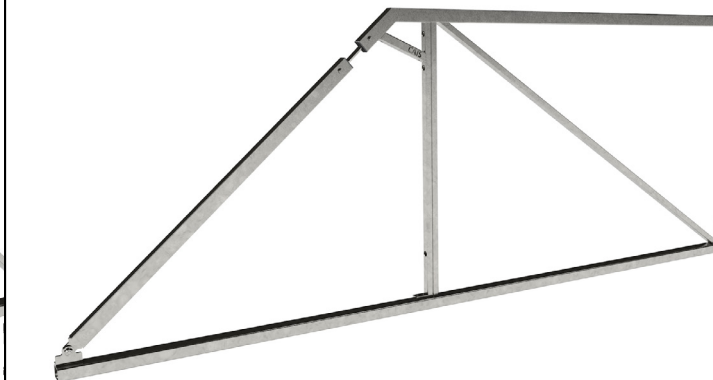
16



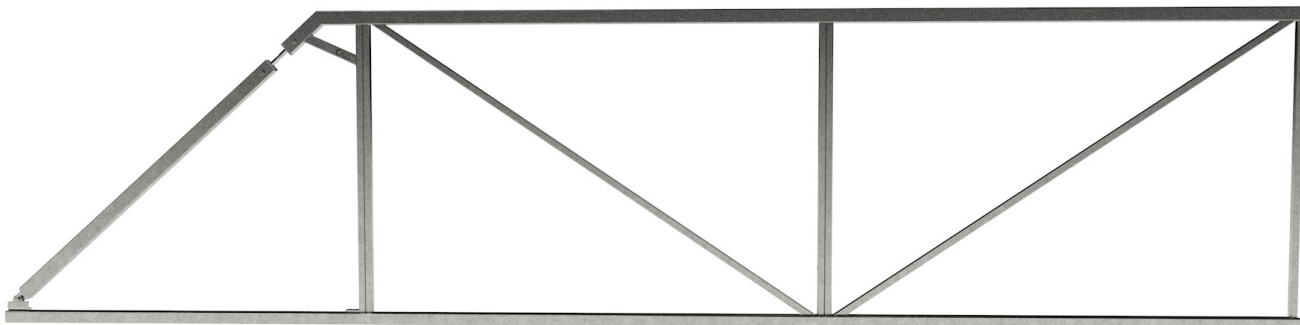
17 mm

3 pcs M10x20

17

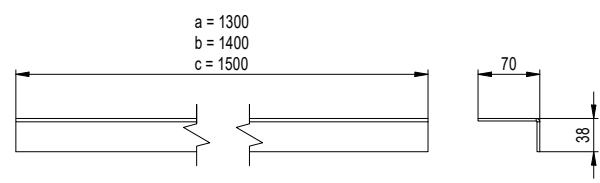
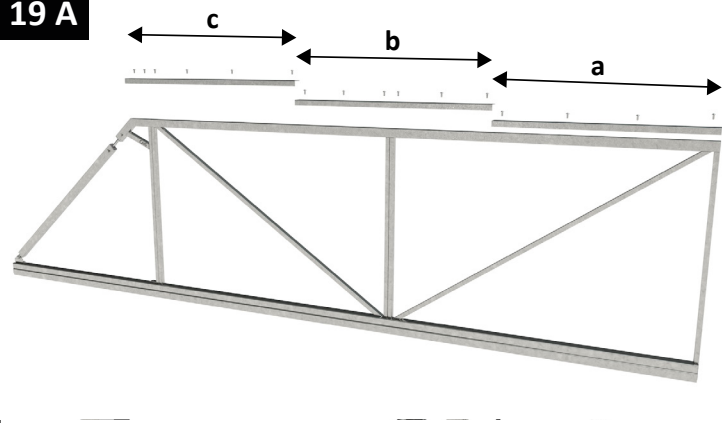


18

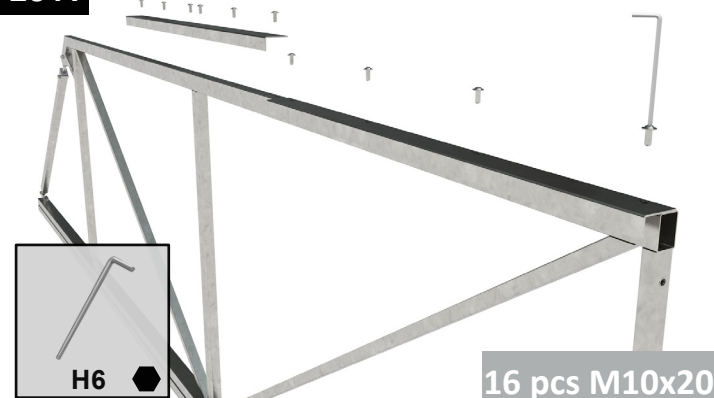


A - LEFT OPENING

19 A

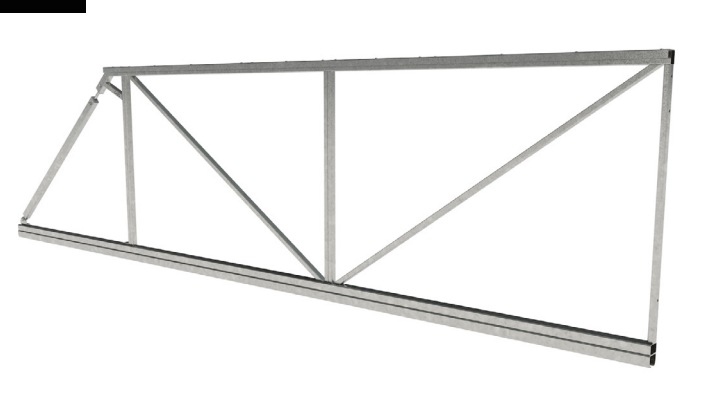


20 A



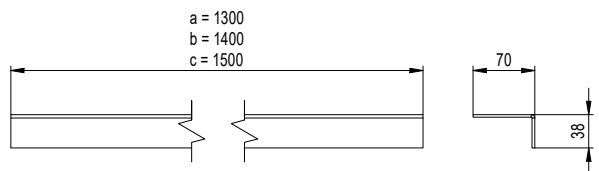
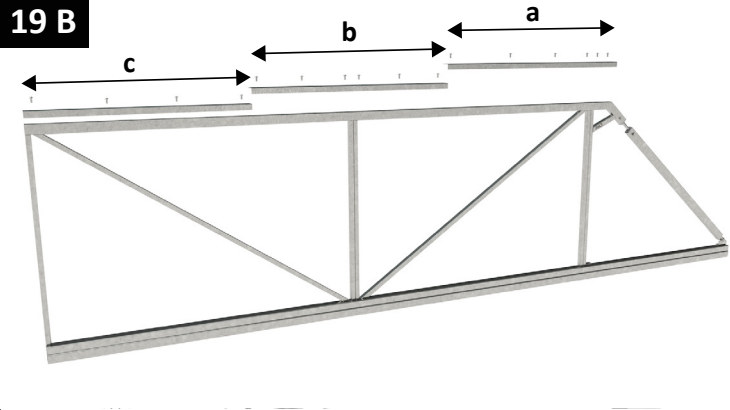
16 pcs M10x20

21 A

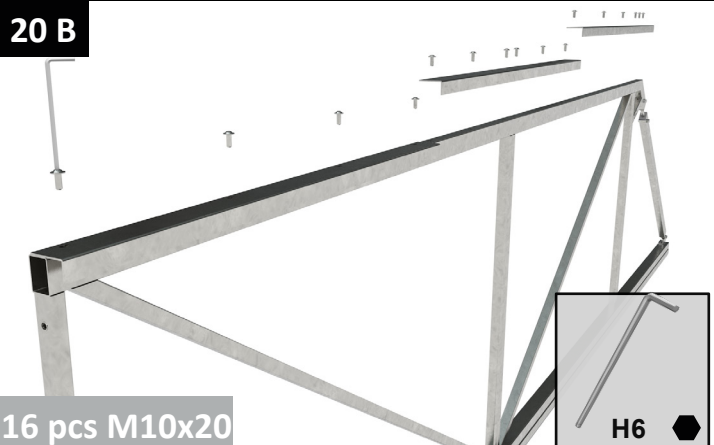


B - RIGHT OPENING

19 B

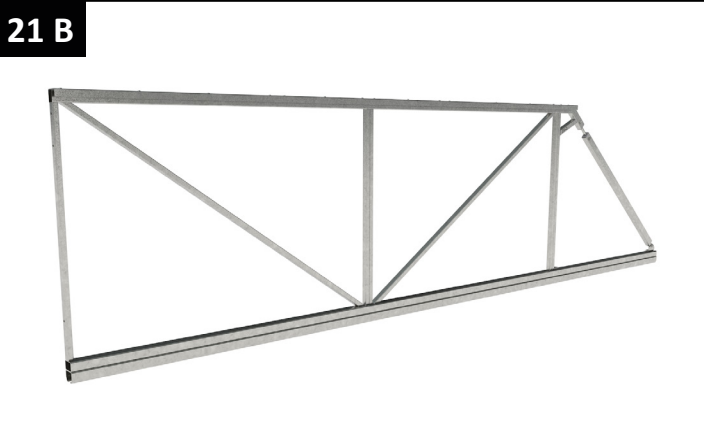


20 B

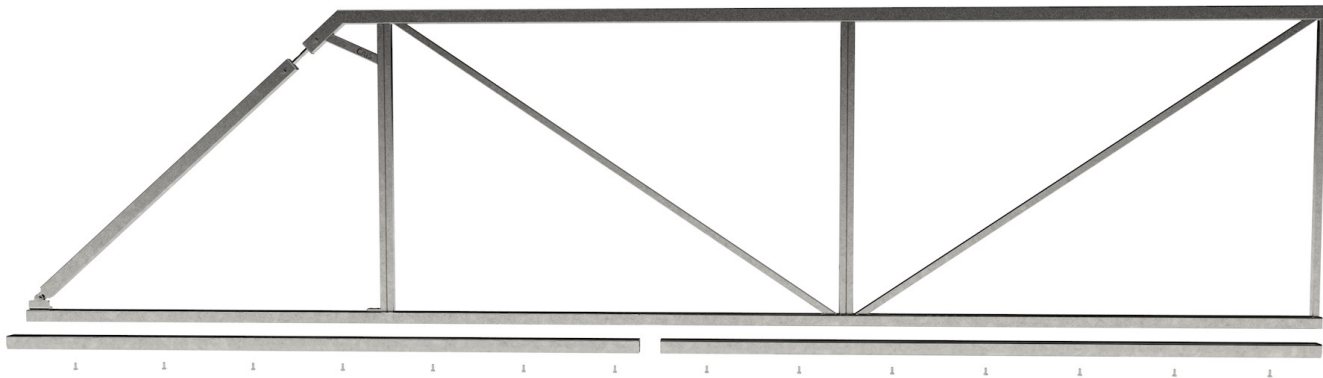


16 pcs M10x20

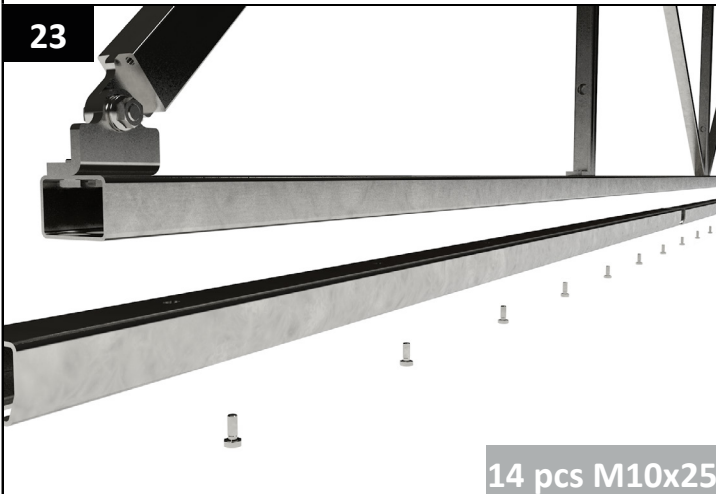
21 B



22

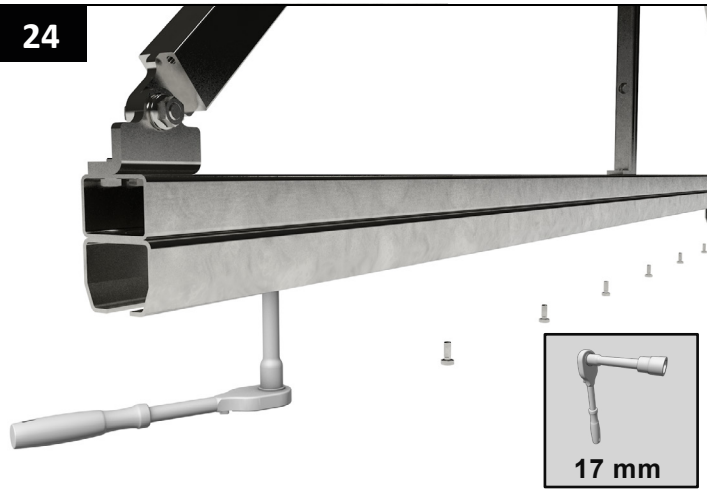


23



14 pcs M10x25

24



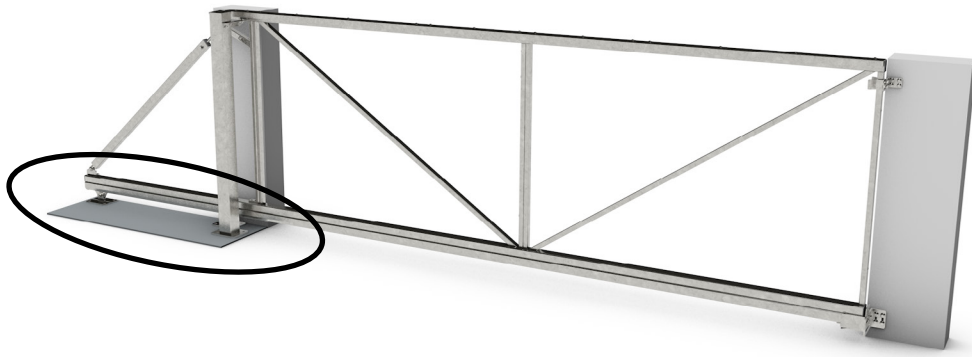
17 mm

25

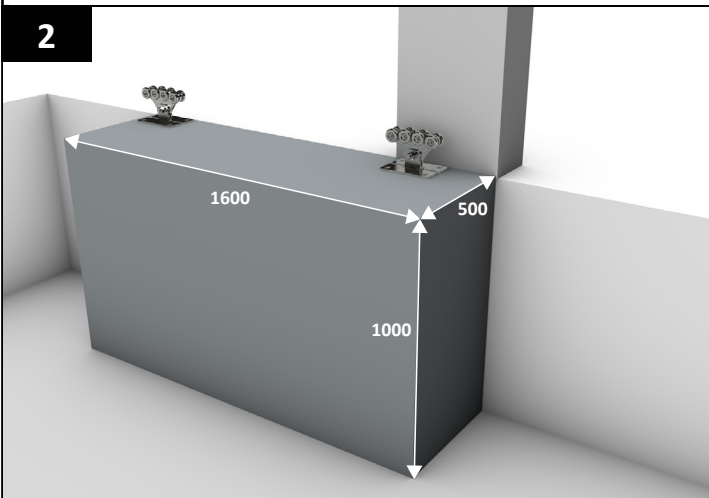


CONSTRUCTION SITE PREPARATION

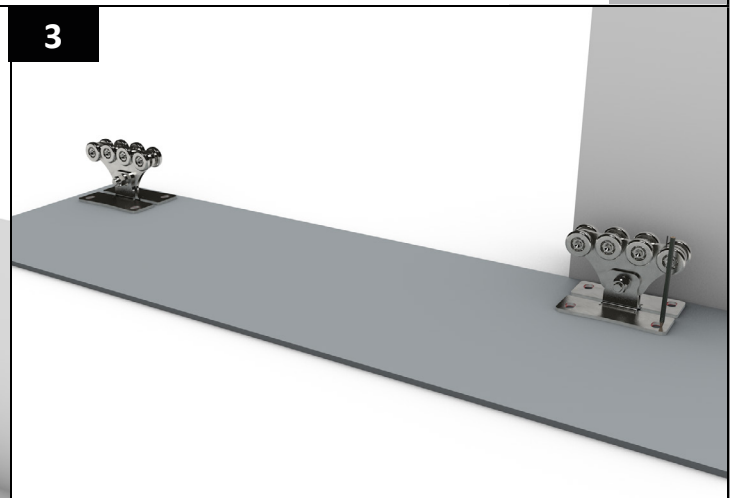
1

VIDEO
MANUAL

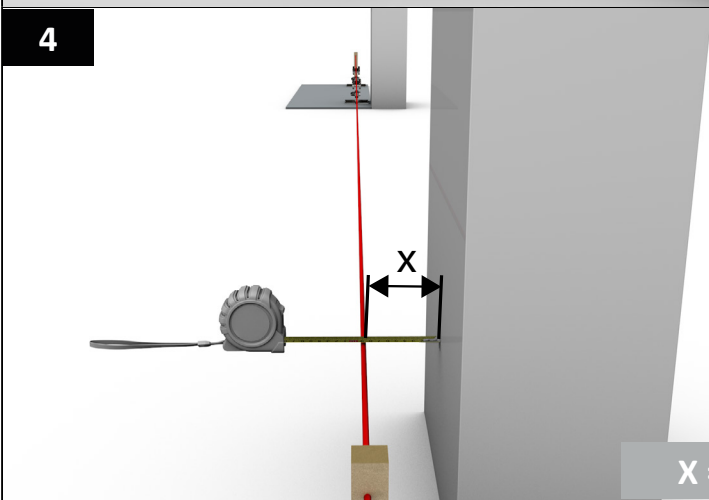
2



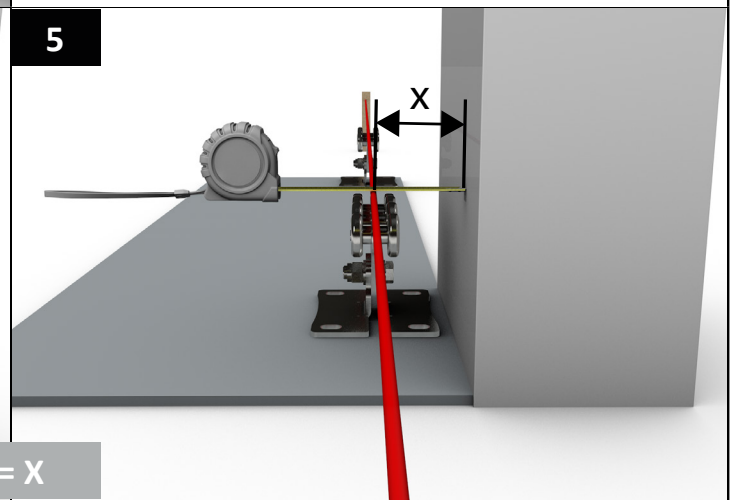
3



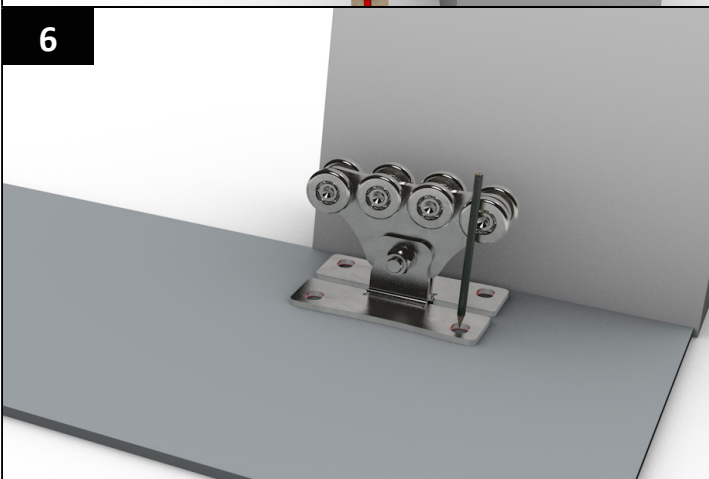
4



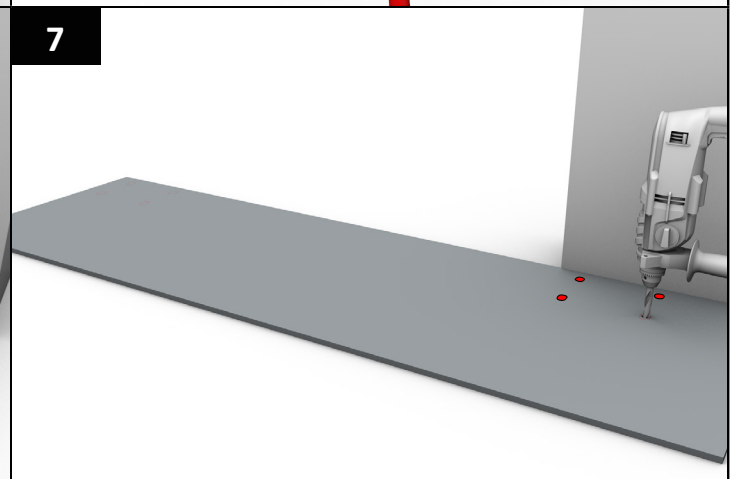
5

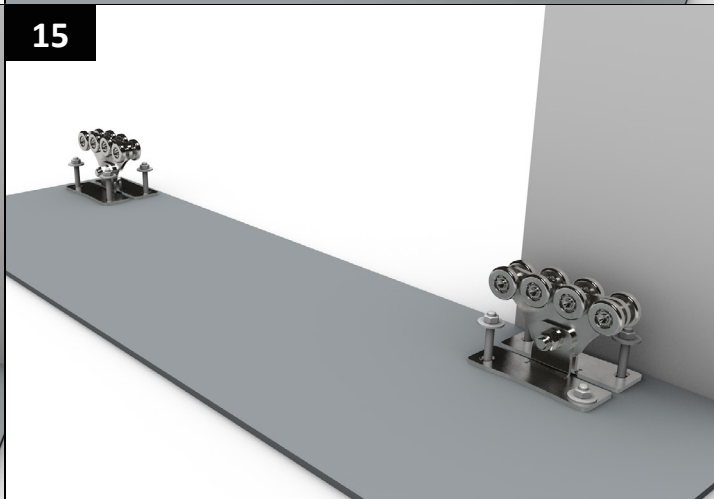
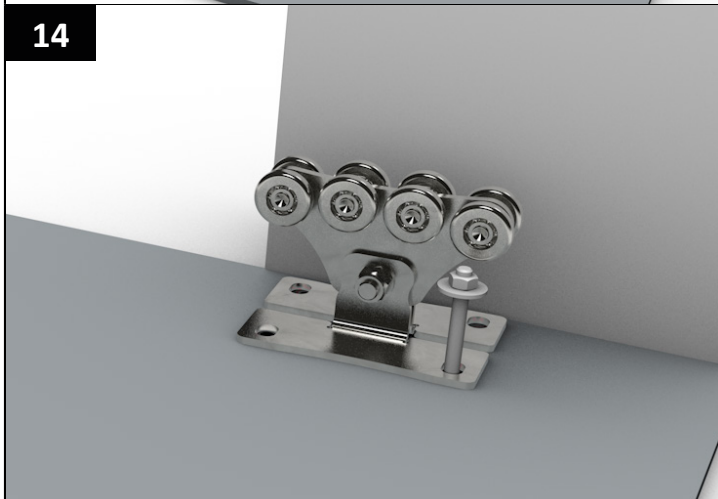
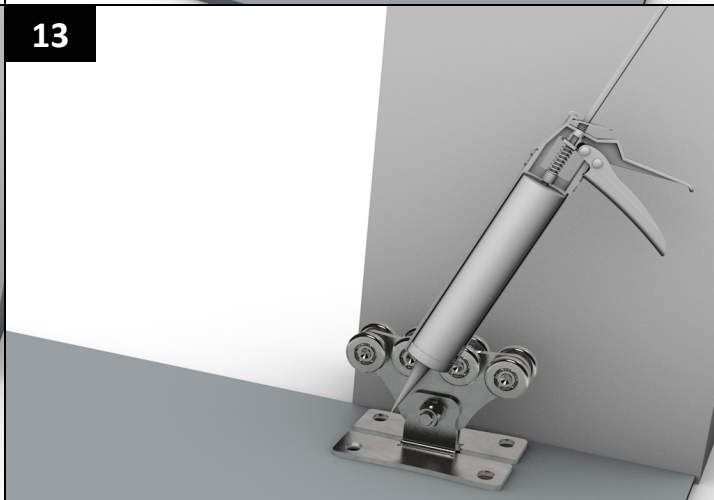
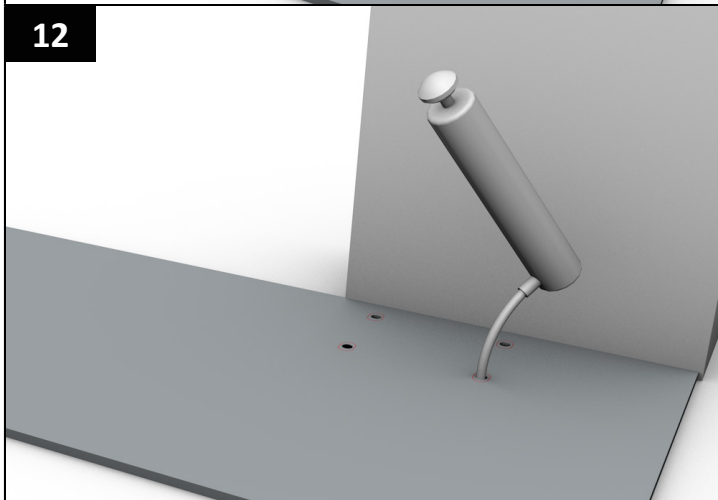
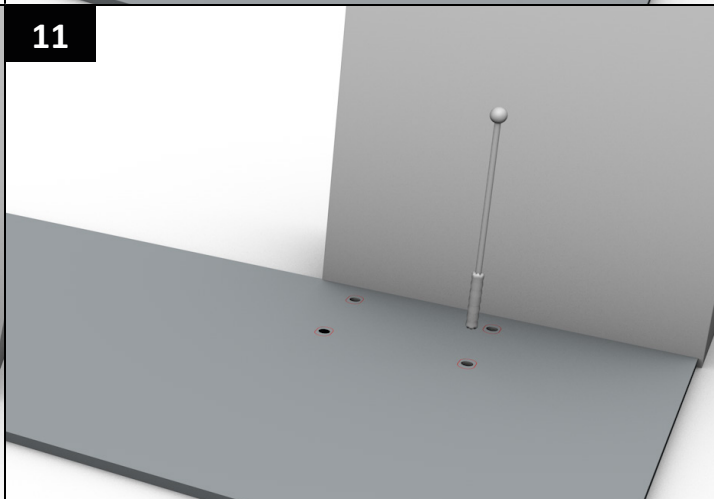
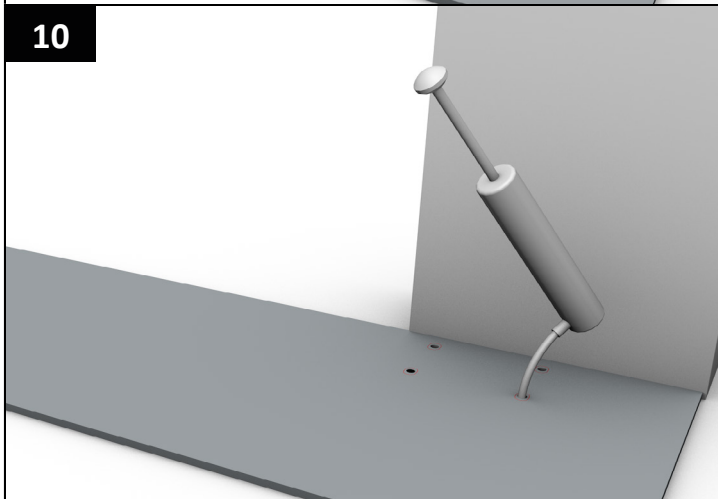
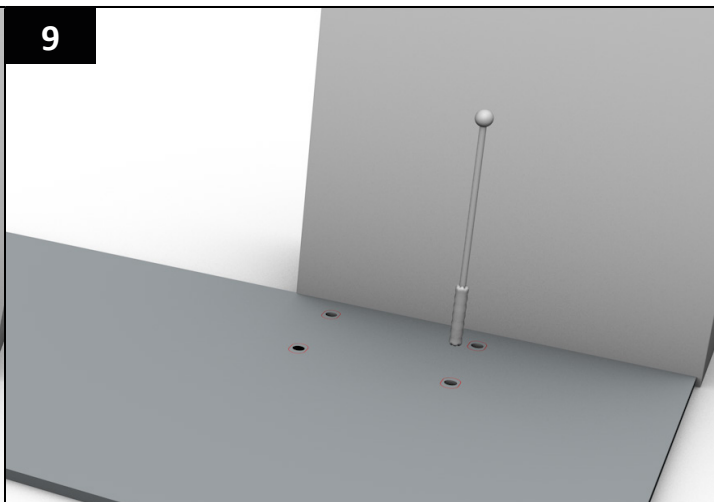
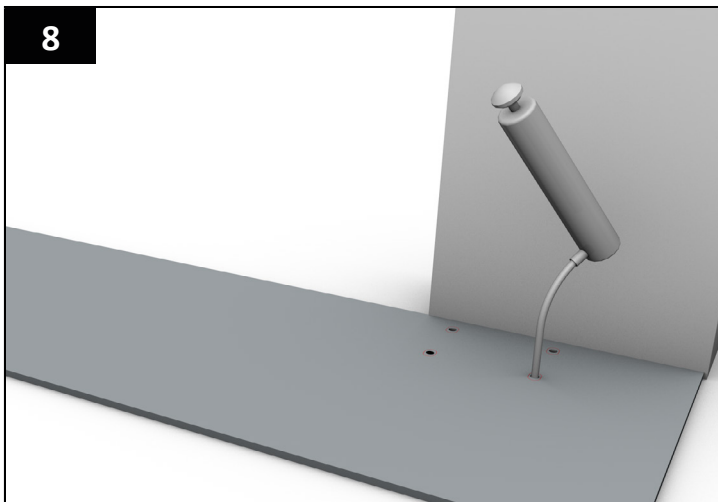

 $X = X$

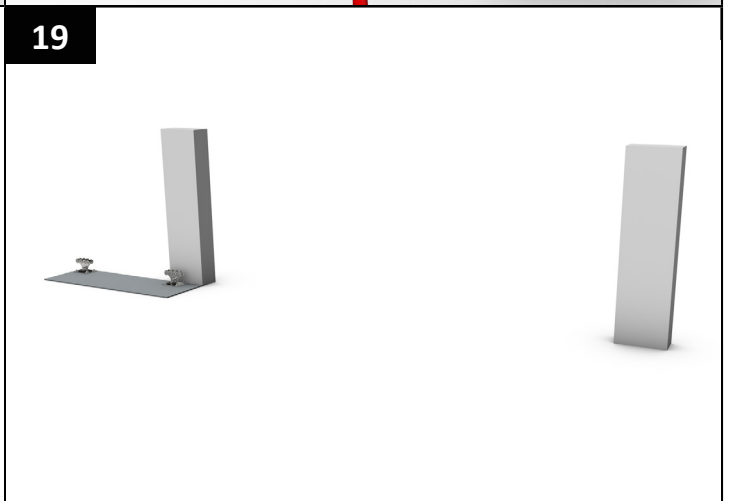
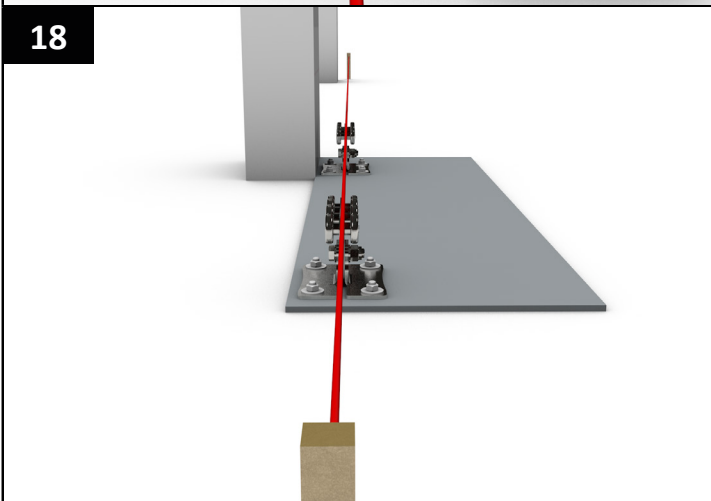
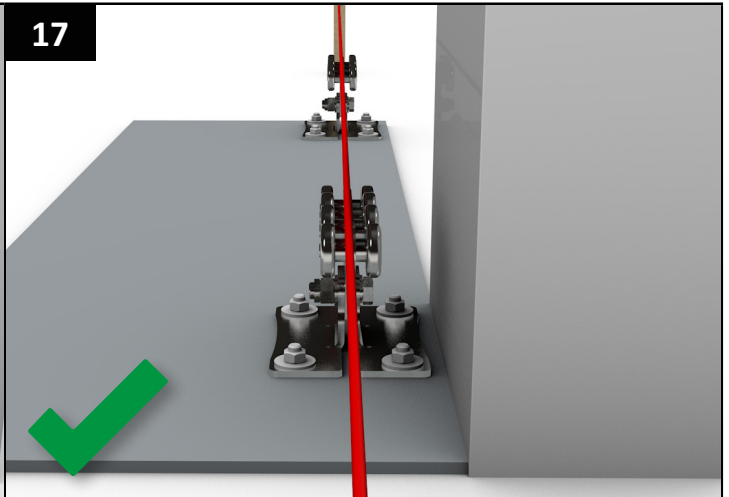
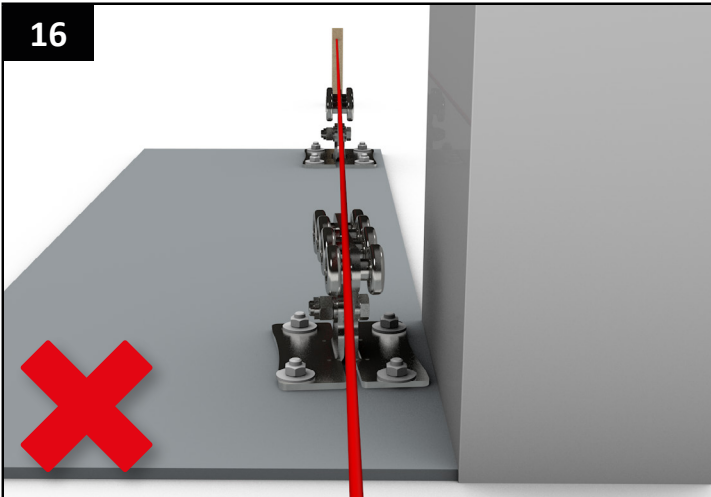
6



7

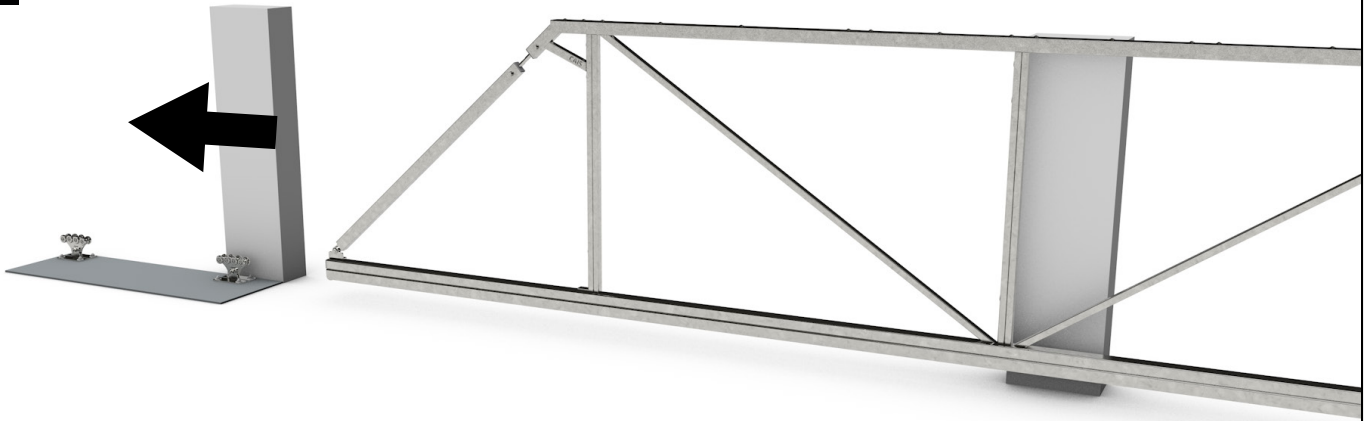




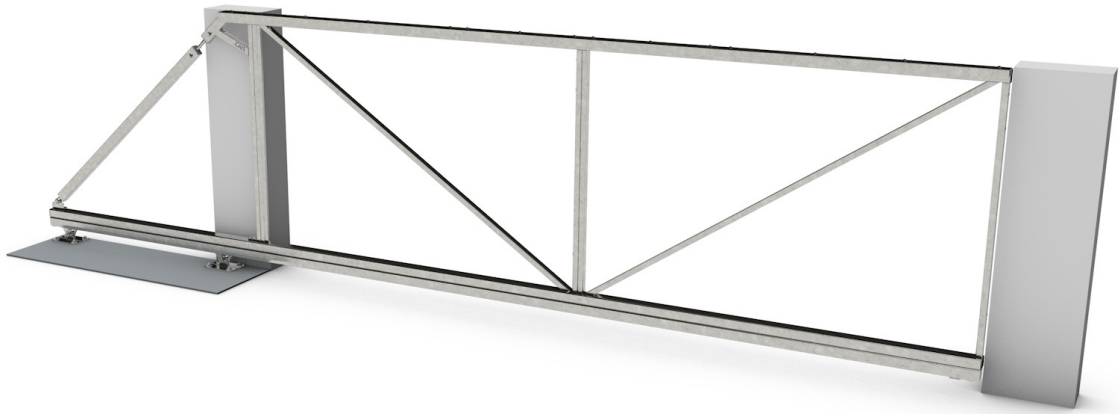


INSTALLATION MANUAL

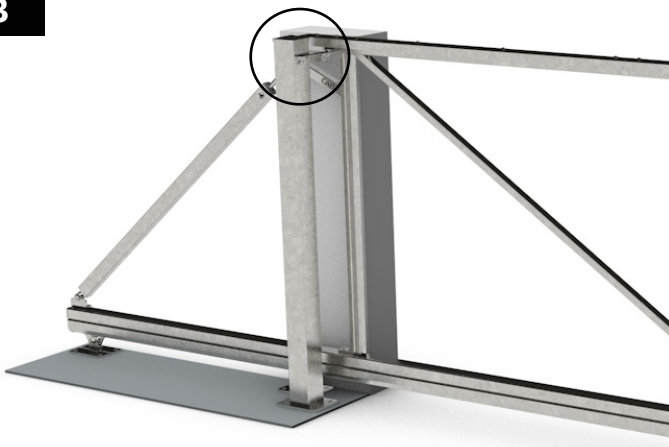
1



2



3



4

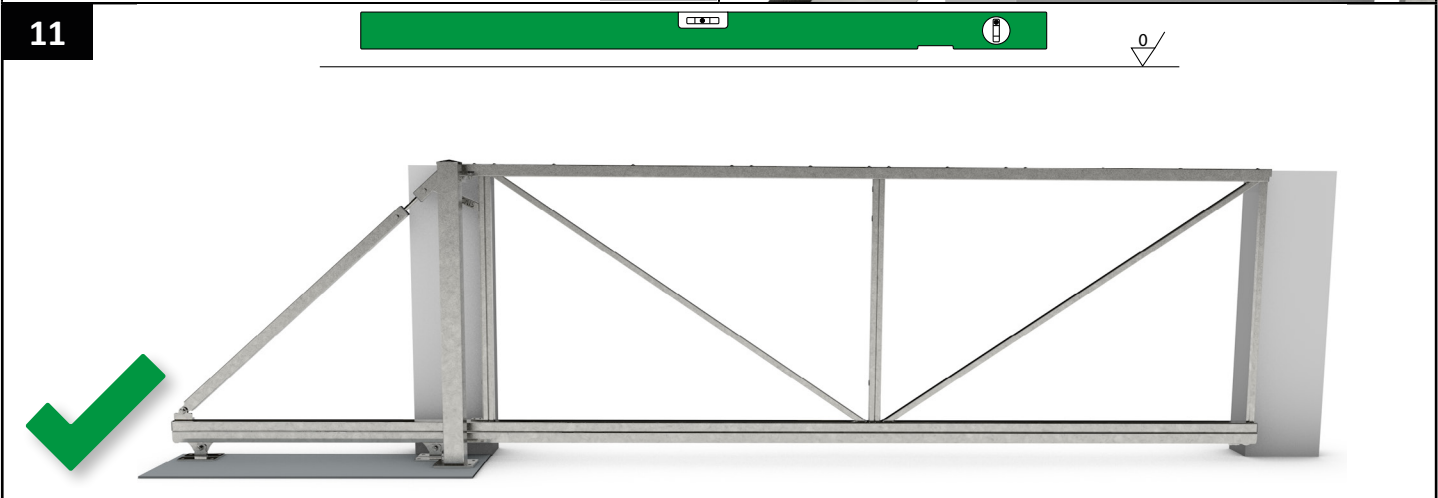
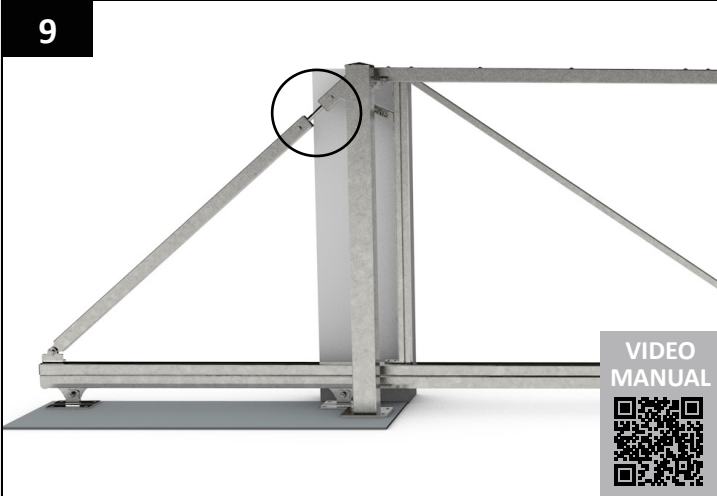


5



6





13



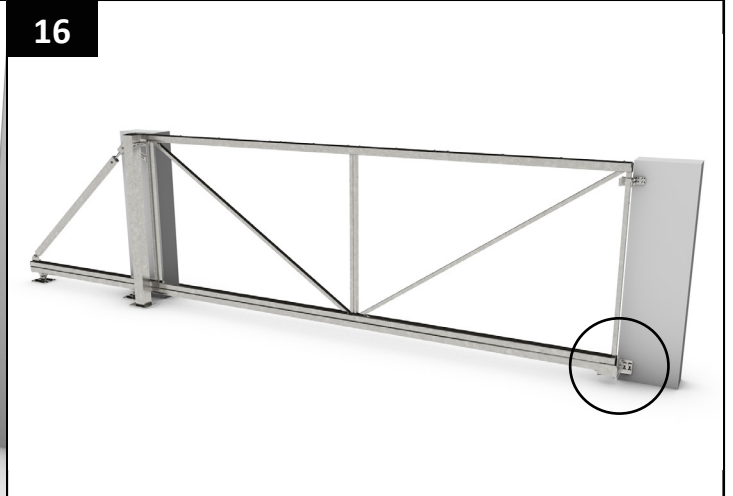
14



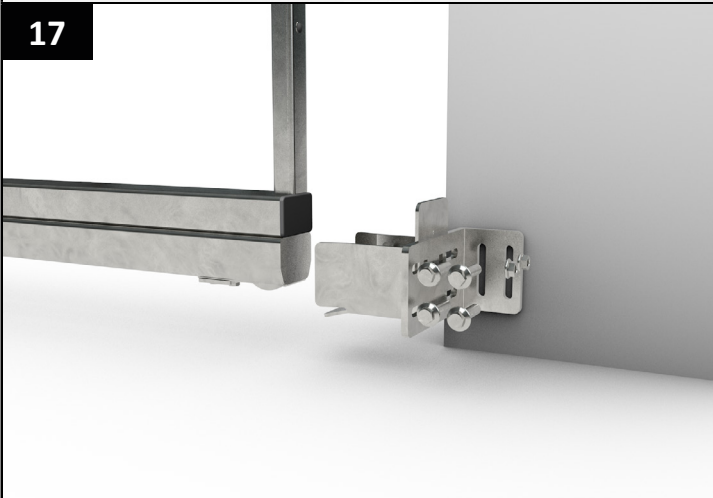
15



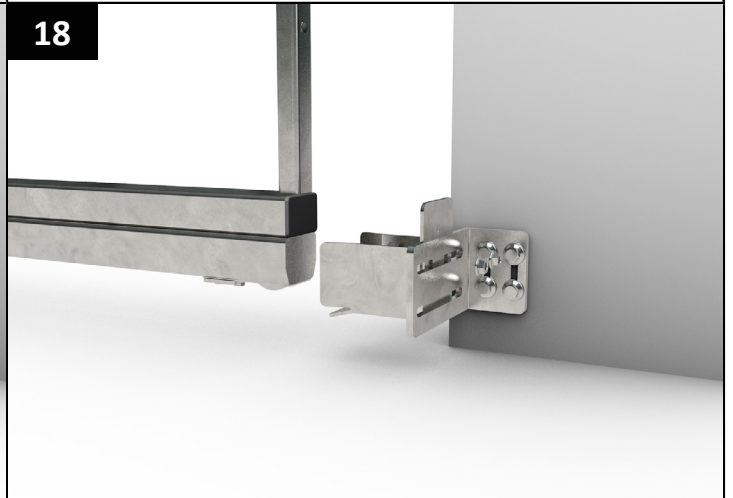
16



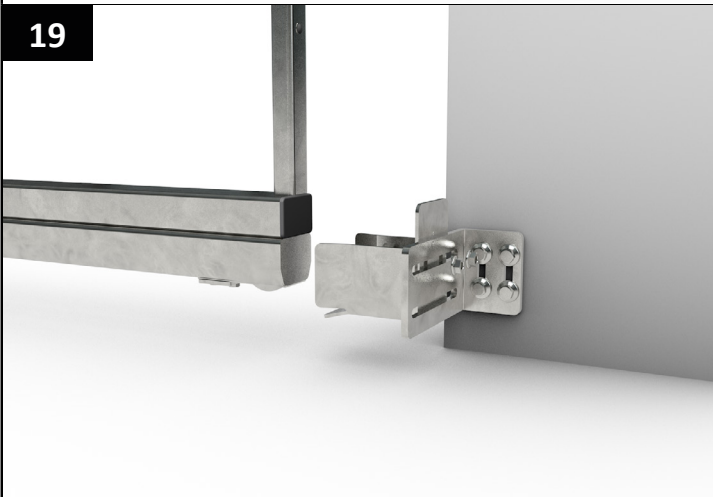
17



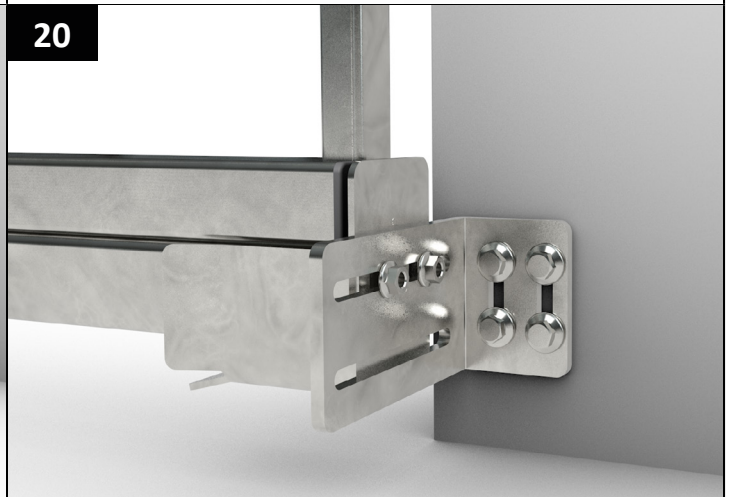
18



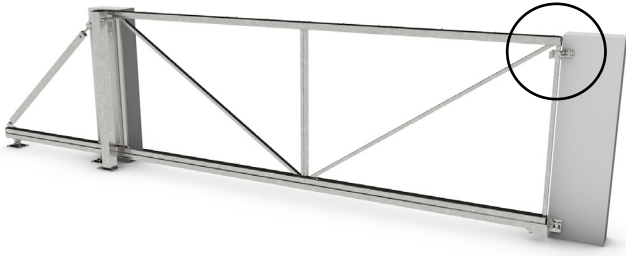
19



20



21



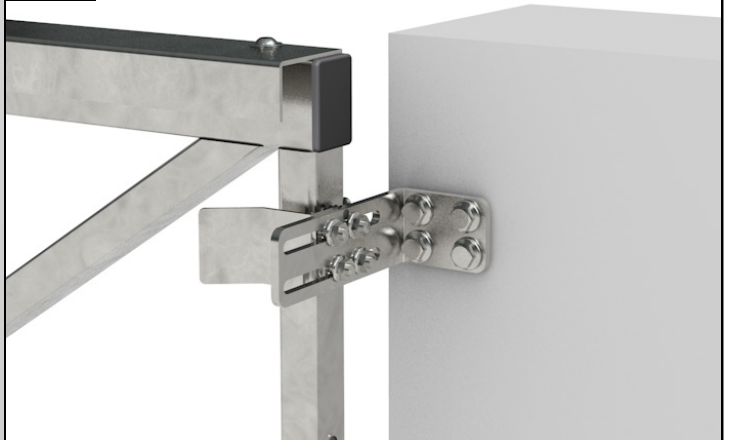
22



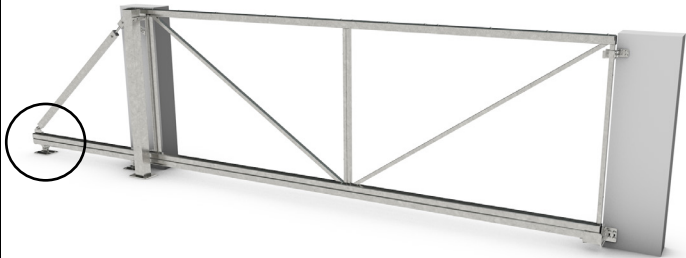
23



24



25



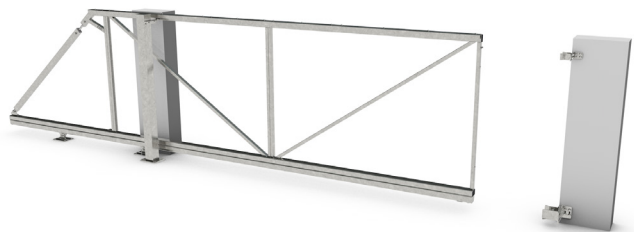
26

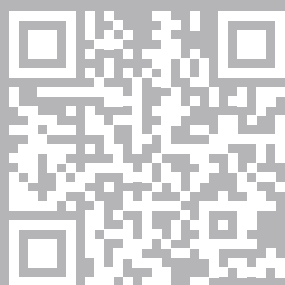


27



28





WWW.CAIS.EU